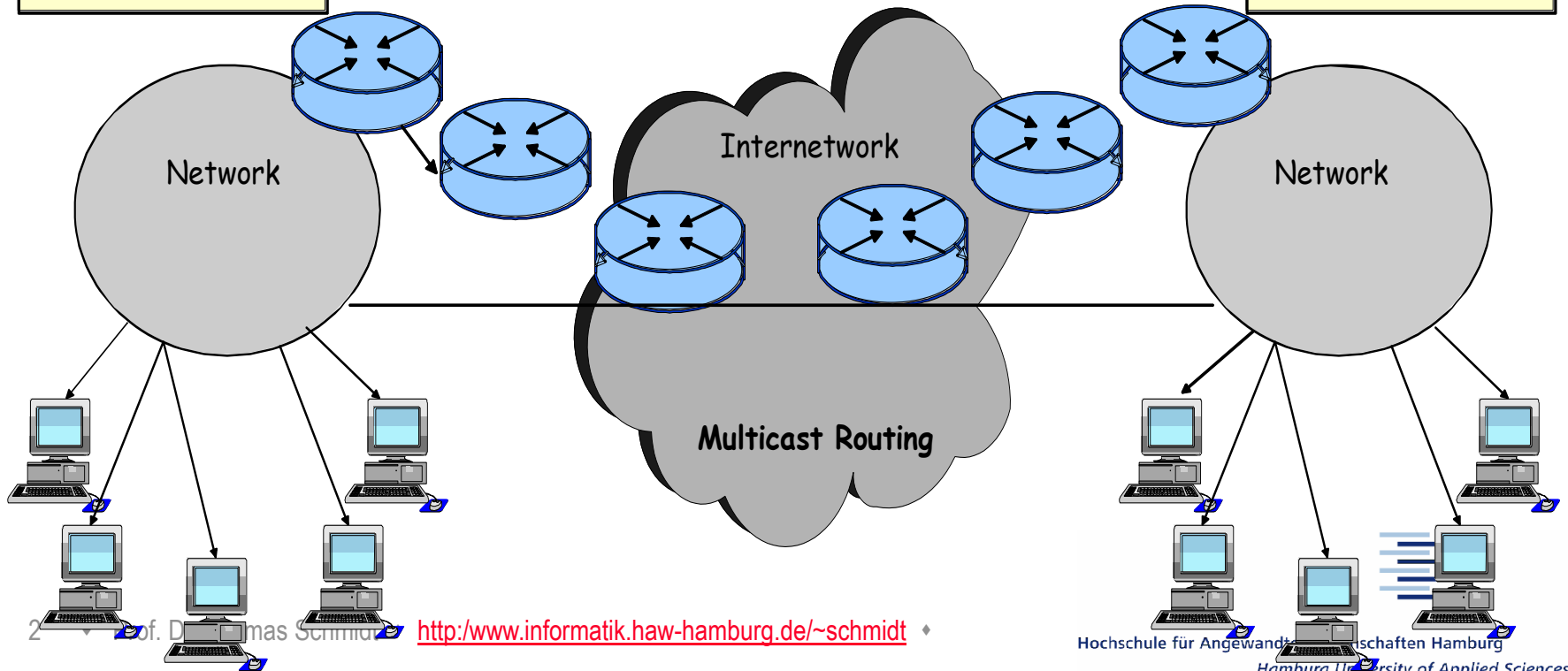
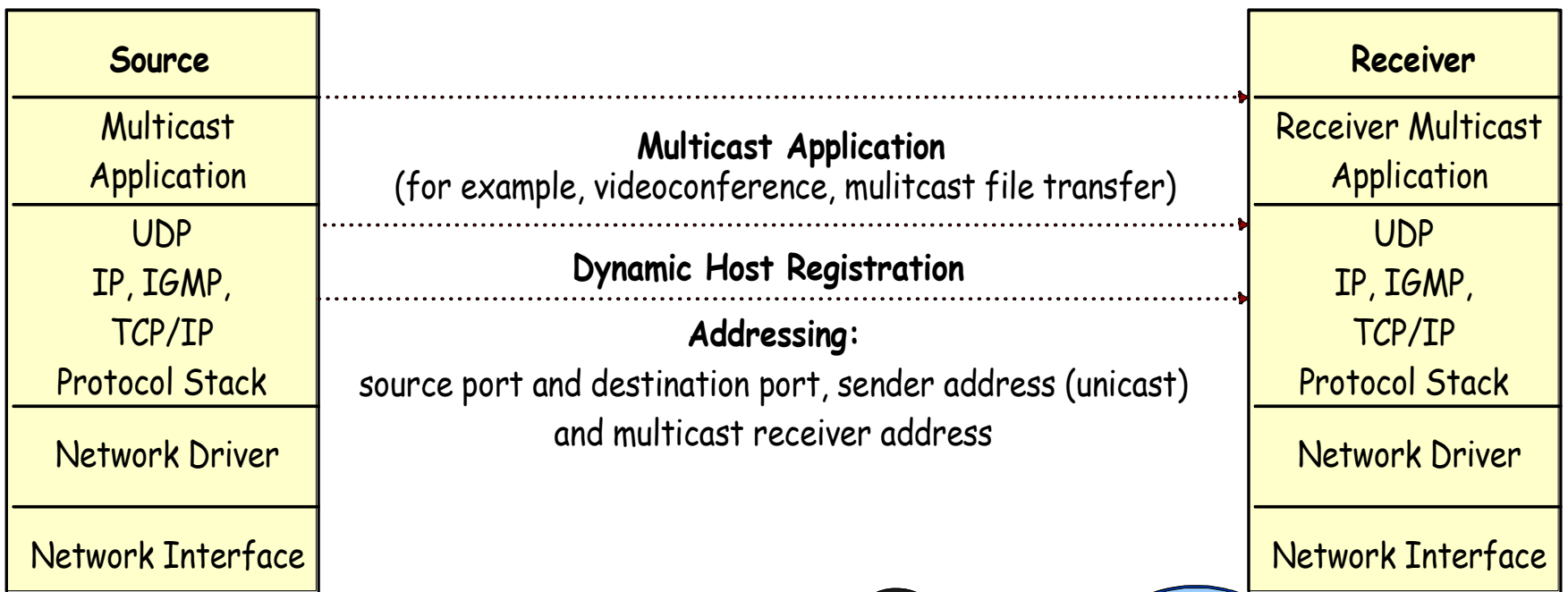


Multicast Routing

- The Problem of IP Mcast Routing
- Routing Algorithms
- ASM Routing Protocols
- SSM Routing
- Properties of Multicast Distribution Trees
- Efficiency versus Deployment Complexity

Some graphics originate (in part) from cisco





Multicast Routing

Unicast IP-Routing

- ▶ Guides IP-Datagrams stepwise to *one* receiver
 - ▶ Routing decision on *where* to forward packet to
 - ▶ Solely based on *destination* address
 - ▶ Adapts to Router topology, *never* to IP-Packets
- ⇒ Multicast turns Routing upside down



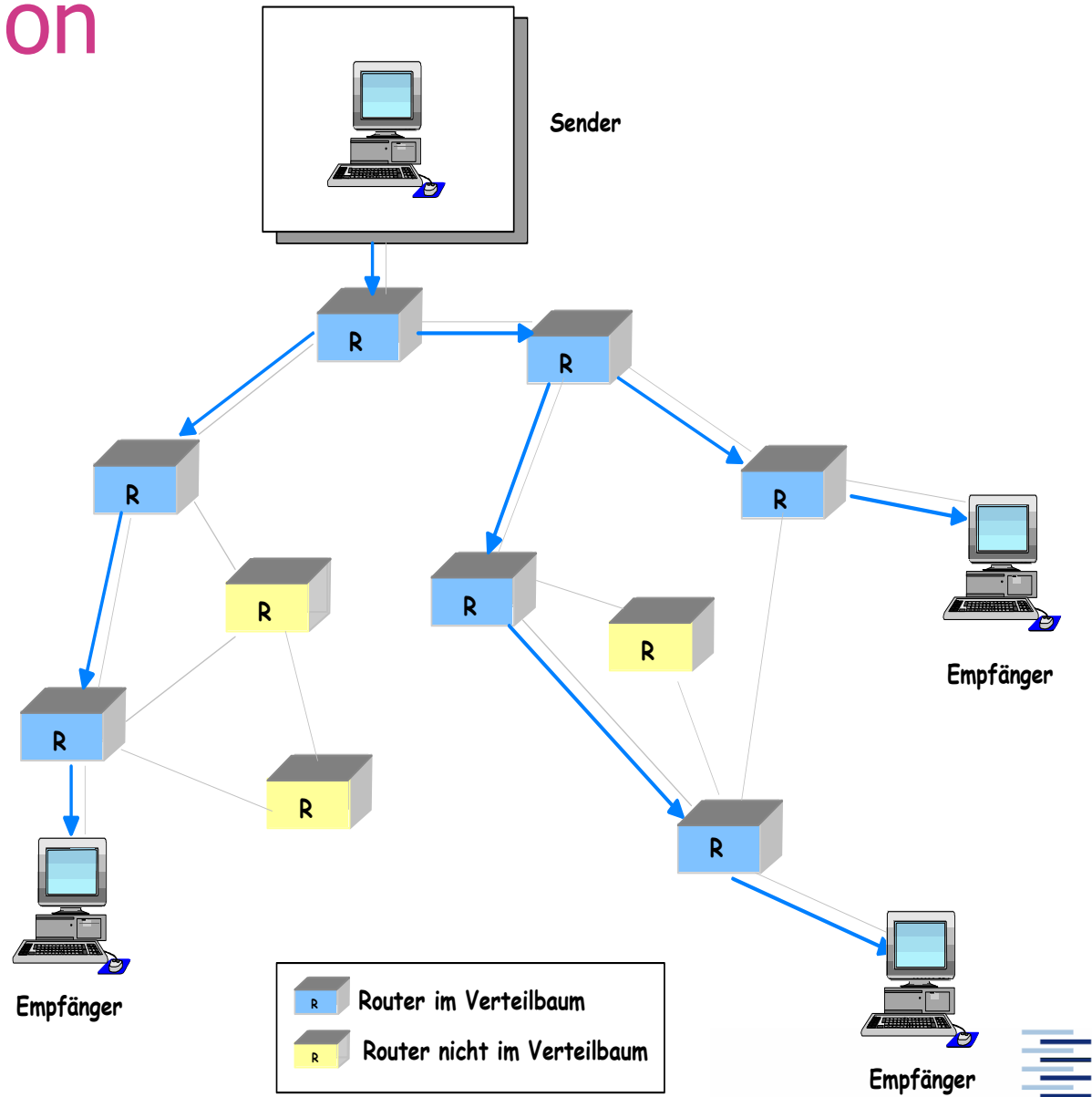
Multicast Routing (2)

IP Multicast - Routing is receiver initiated:

- ▶ Guides mcast-Datagrams according to a distribution tree
- ▶ Duplicates Datagrams
- ▶ Based on *Source* address
- ▶ Changes according to group dynamics
- ▶ Uses ‚Reverse‘ Paths



Distribution Tree



Receiver Initiated Routing

- ▶ Group initiation by sender results in distribution tree
- ▶ Two types of distribution trees:
 - ▶ **Source Specific Tree** originating at sender (S,G) or
 - ▶ **Shared Tree** originating at Rendezvous Point $(*,G)$
(serving a group of senders)
- ▶ Calculation of Routing Information stimulated by receiver
 - ▶ A receiver adds/removes branches to/from distribution tree
- ▶ Unicast routing tables usable (requires symmetric routing!)
- ▶ Forwarding Algorithm: Reverse Path Forwarding



Reverse Path Forwarding (RPF)

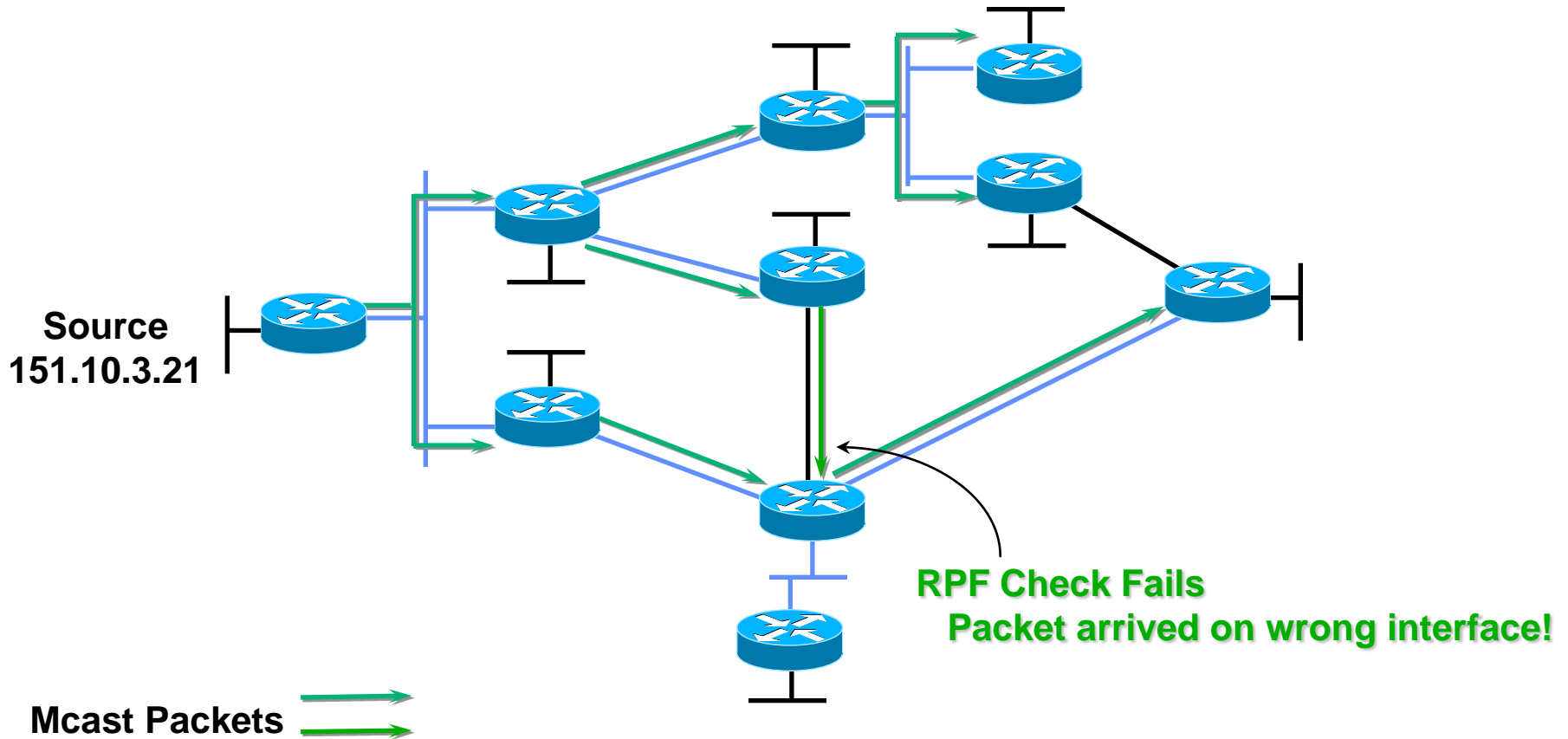
A Router forwards a packet only, if it was received on the proper route to source.

RPF Check:

- ▶ active routing table searched for *source*-address
- ▶ Packet transmitted, if received on the interface foreseen as source address destination
- ▶ Packet discarded otherwise

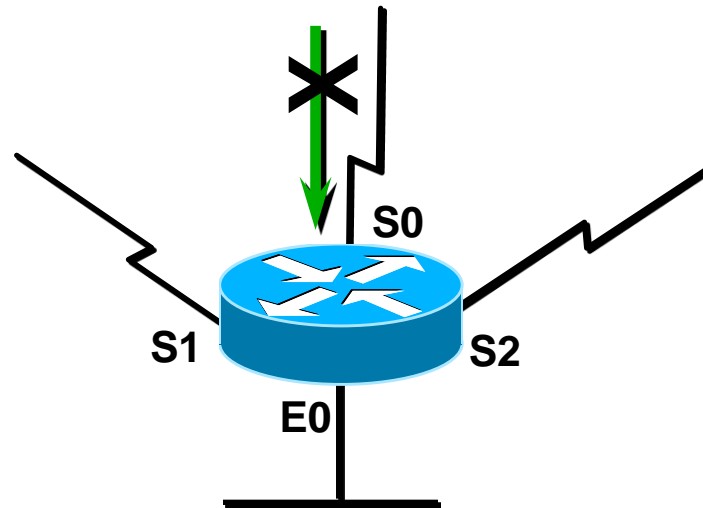


RPF Check



RPF Check: Failure

Multicast Packet from
Source 151.10.3.21



RPF Check Fails!

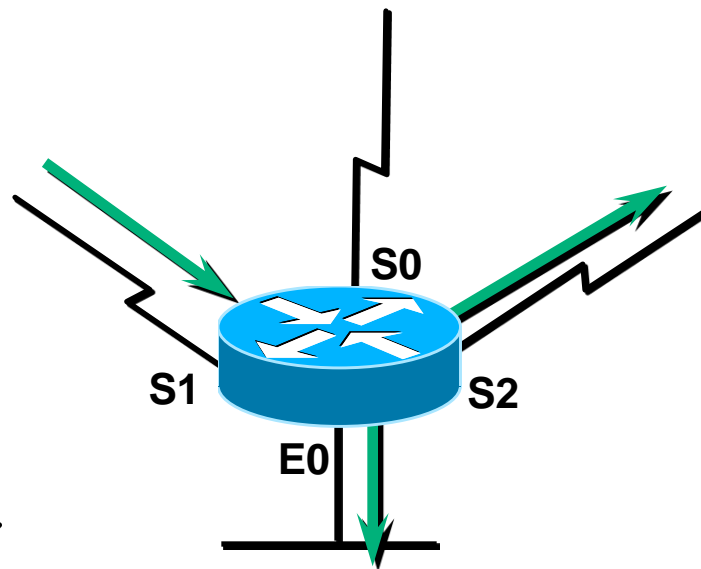
Unicast Route Table	
Network	Interface
151.10.0.0/16	S1
198.14.32.0/24	S0
204.1.16.0/24	E0

Packet Arrived on Wrong Interface!
Discard Packet!



RPF Check: Success

Multicast Packet from
Source 151.10.3.21



RPF Check Succeeds!

Unicast Route Table	
Network	Interface
151.10.0.0/16	S1
198.14.32.0/24	S0
204.1.16.0/24	E0

Packet Arrived on Correct Interface!
Forward out all outgoing interfaces.
(i. e. down the distribution tree)



Any Source Multicast (ASM)

How to construct distribution tree to reach all receivers?

Two classes of algorithms:

Dense Mode

- Push Model
- Flooding and Pruning

Sparse Mode

- Pull Model
- Directional traffic only
- Rendezvous Points



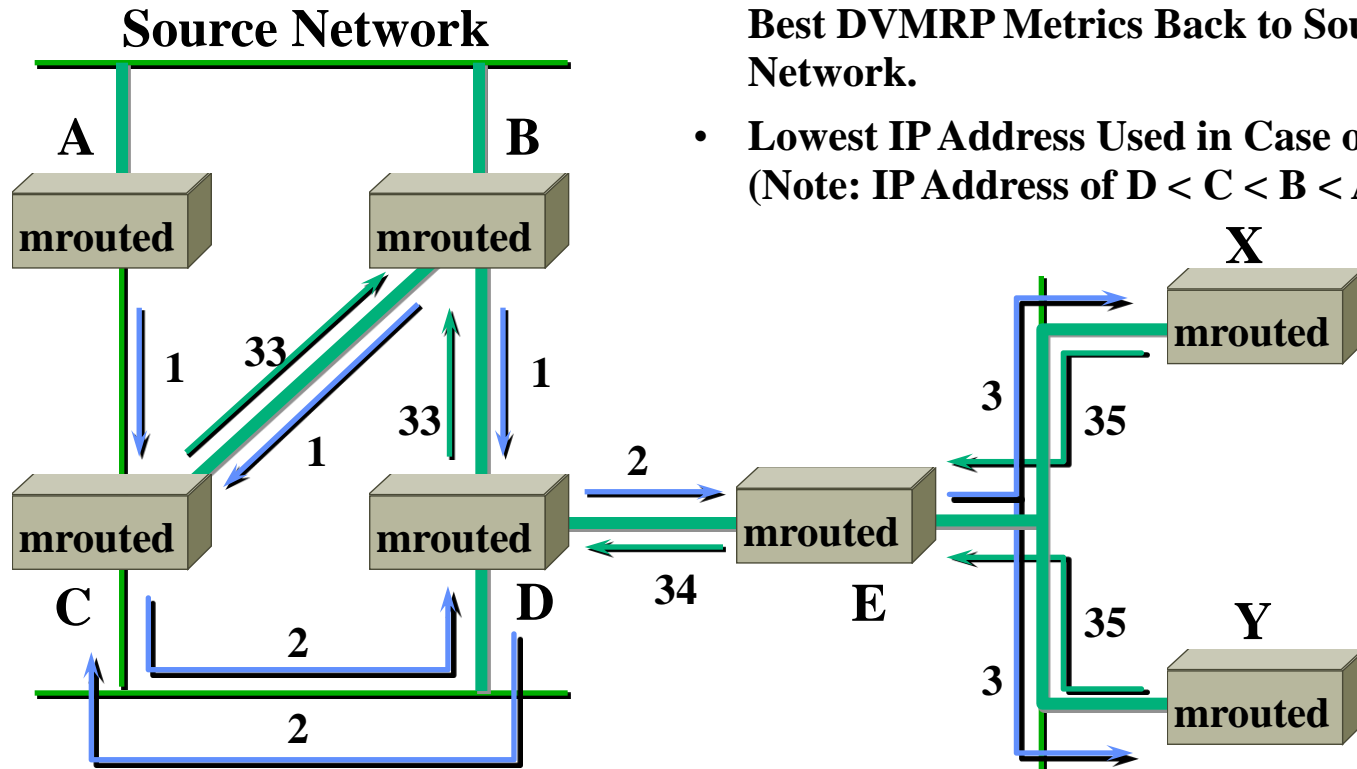
Distance Vector Multicast Routing Protocol (DVMRP)

- ▶ Oldest IP mcast Routing Protocol (v1: RFC 1075, Deering)
- ▶ Destination based Distance Vector Protocol
- ▶ Dense Mode Protocol
- ▶ Generates source-specific shortest path trees
- ▶ Currently V3 allows for Mcast tunnelling
- ▶ Operates on RIP bases (as Unicast Routing Protocol)
- ▶ Transmits Subnetmasks
- ▶ ∞ = 32 Hops, sometimes 16



DVMRP Distribution Tree: Construction

- **Truncated Broadcast Trees Are Built using Best DVMRP Metrics Back to Source Network.**
- **Lowest IP Address Used in Case of a Tie.**
(Note: IP Address of D < C < B < A)



Route for source network of metric "n"



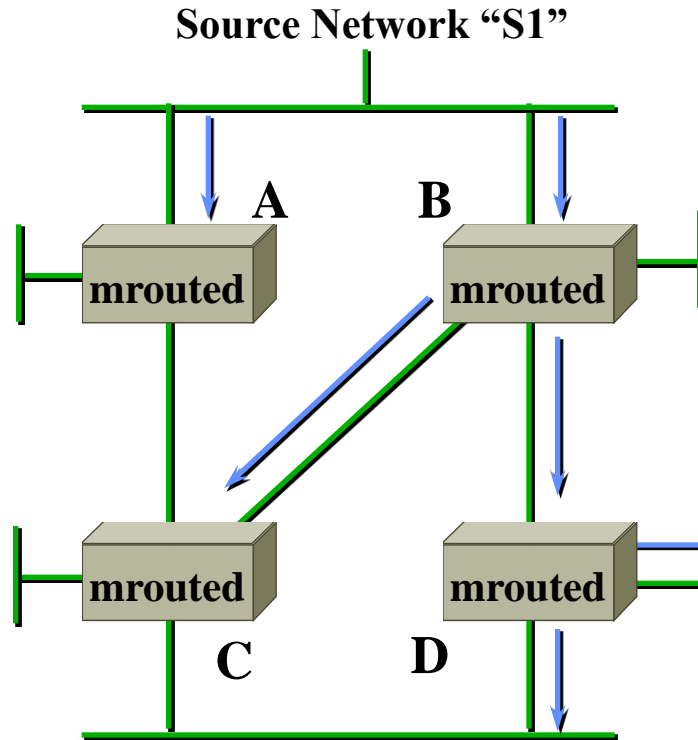
Poison reverse (metric + infinity) sent to upstream "parent" router.
Router depends on "parent" to receive traffic for this source.



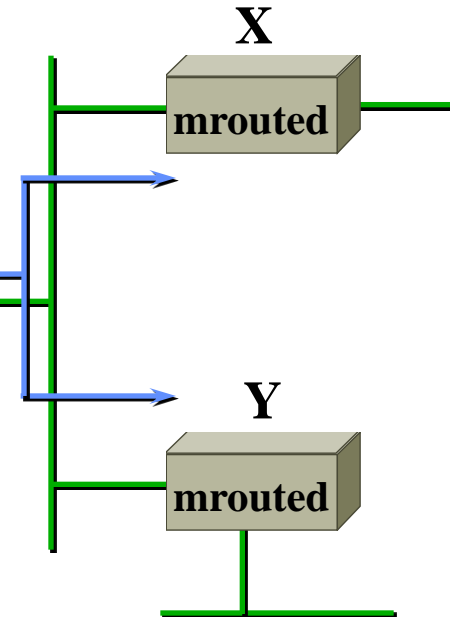
Resulting Truncated Broadcast Tree for Source Network



DVMRP Distribution Tree



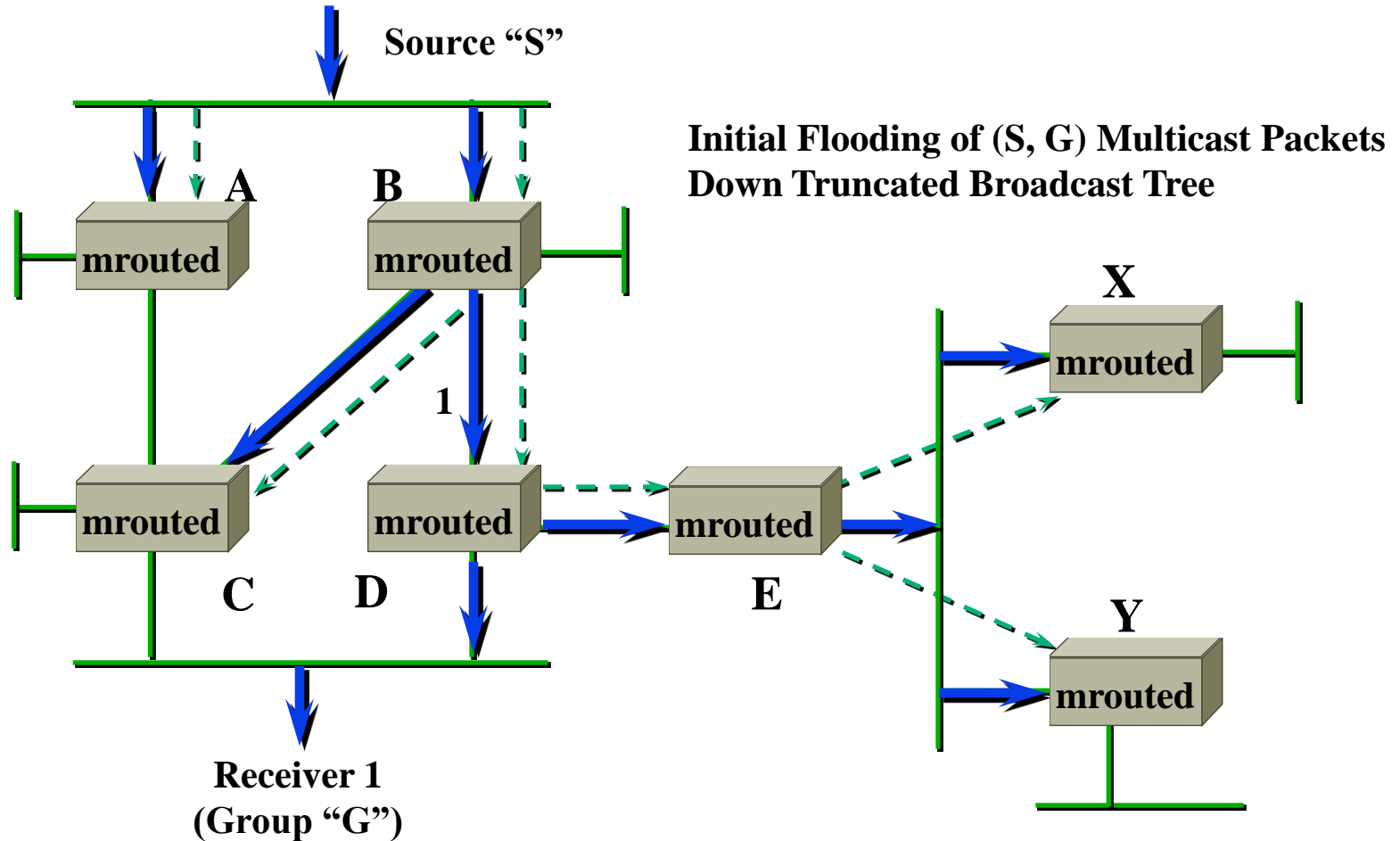
Resulting Truncated Broadcast Tree for Source Network "S1"



S1 Source Tree



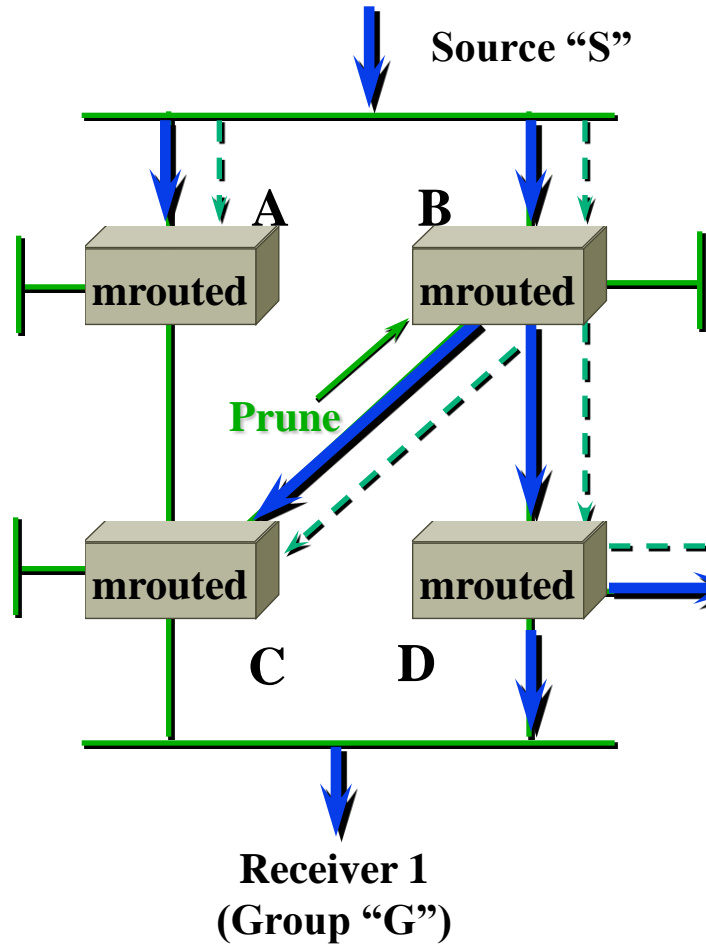
DVMRP Flood & Prune



- - - - - Truncated Broadcast Tree based on DVMRP route metrics
—————> (S, G) Multicast Packet Flow

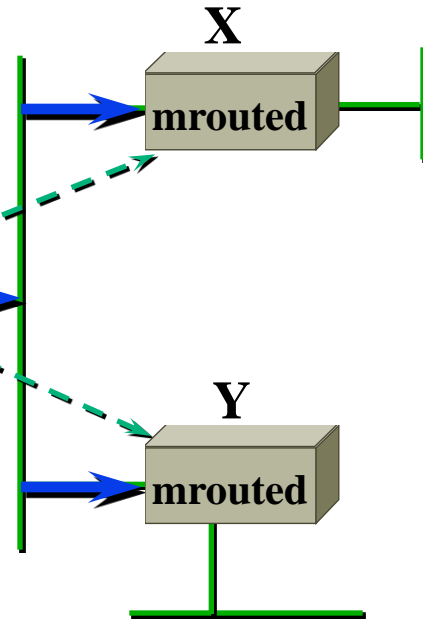


DVMRP Flood & Prune



Routers C is a Leaf Node so it sends an “(S, G) Prune” Message

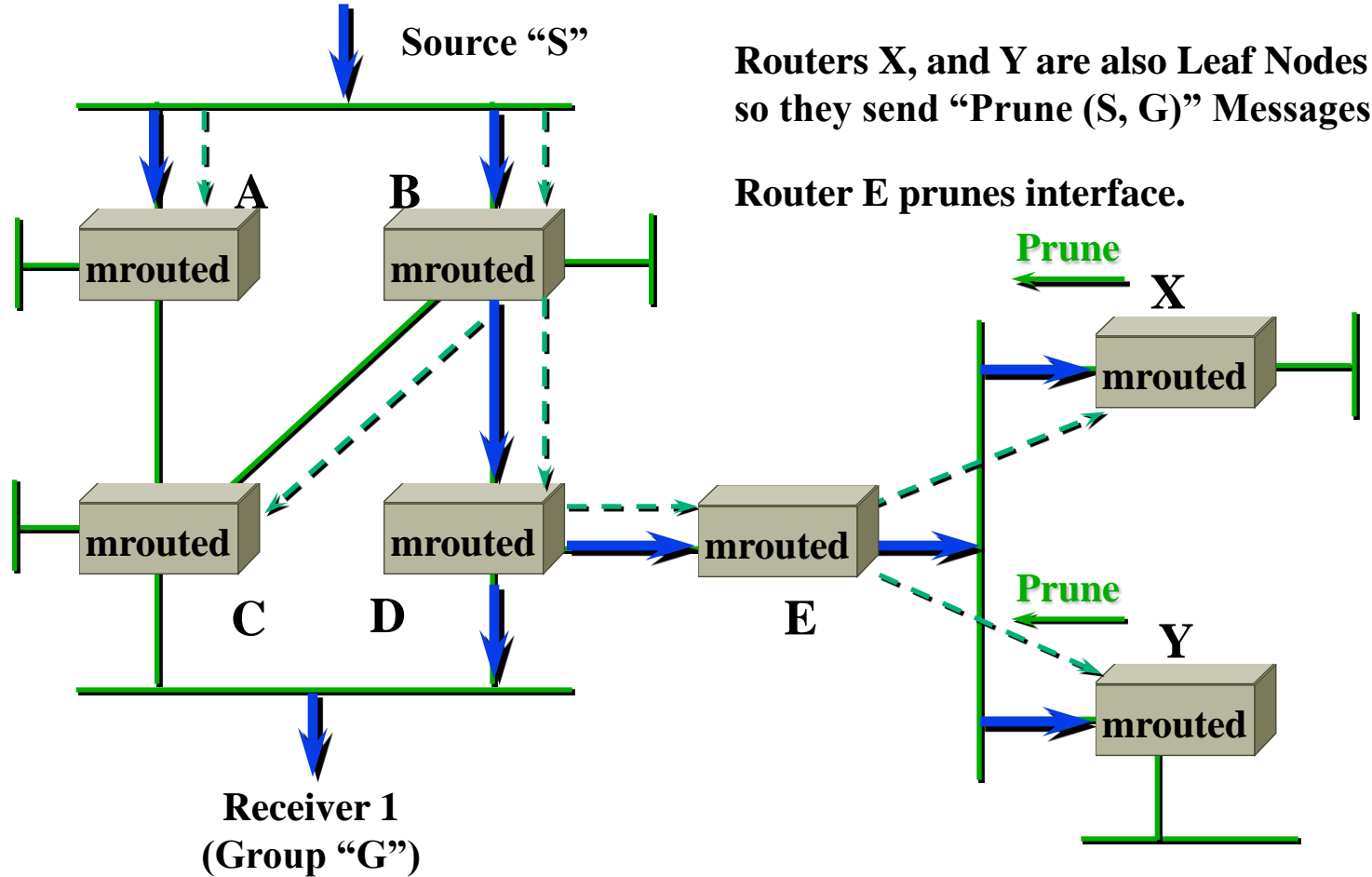
Router B Prunes interface.



- - - - - Truncated Broadcast Tree based on DVMRP route metrics
—————> (S, G) Multicast Packet Flow



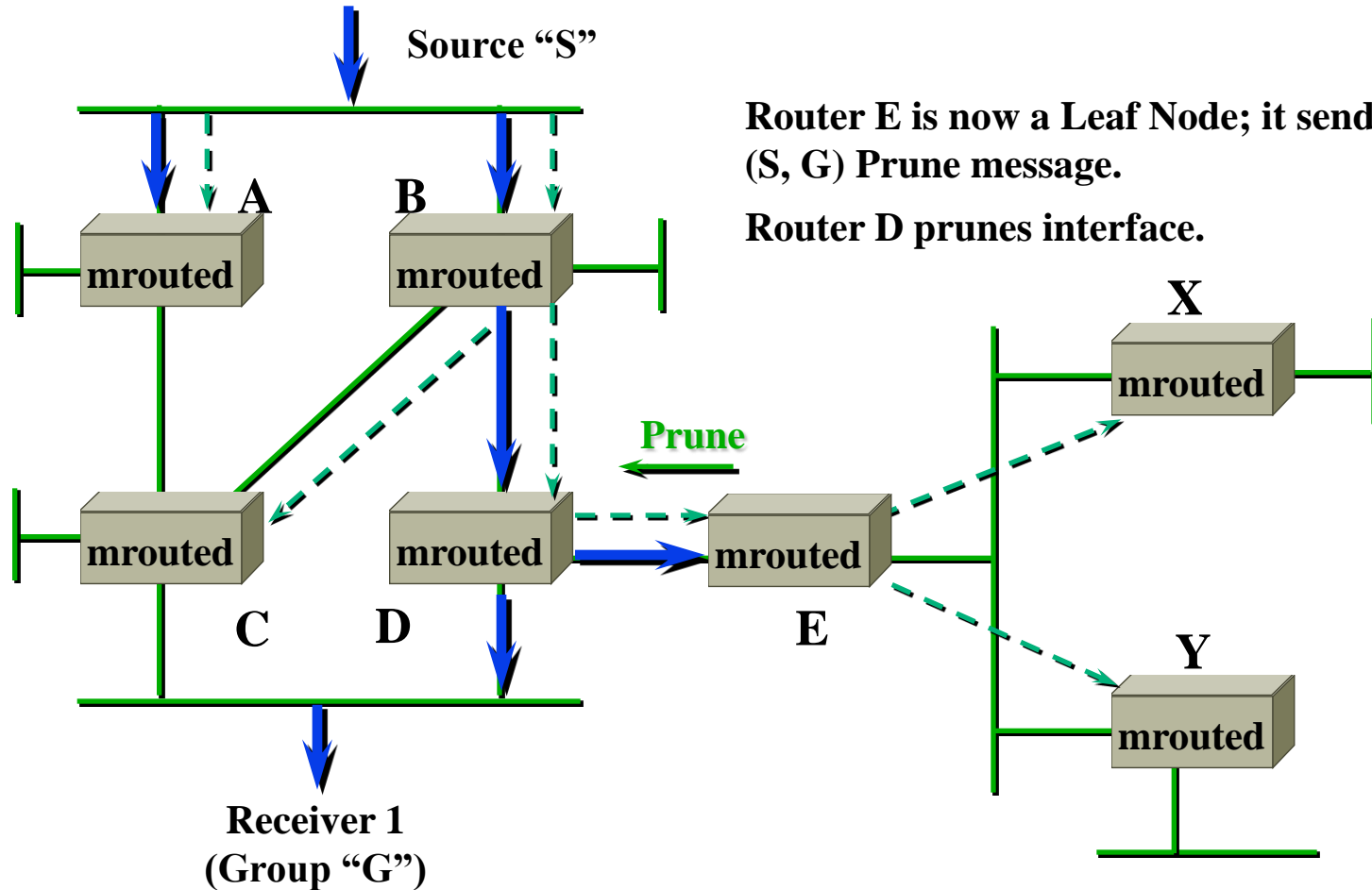
DVMRP Flood & Prune



- - - - - Truncated Broadcast Tree based on DVMRP route metrics
—————> (S, G) Multicast Packet Flow



DVMRP Flood & Prune

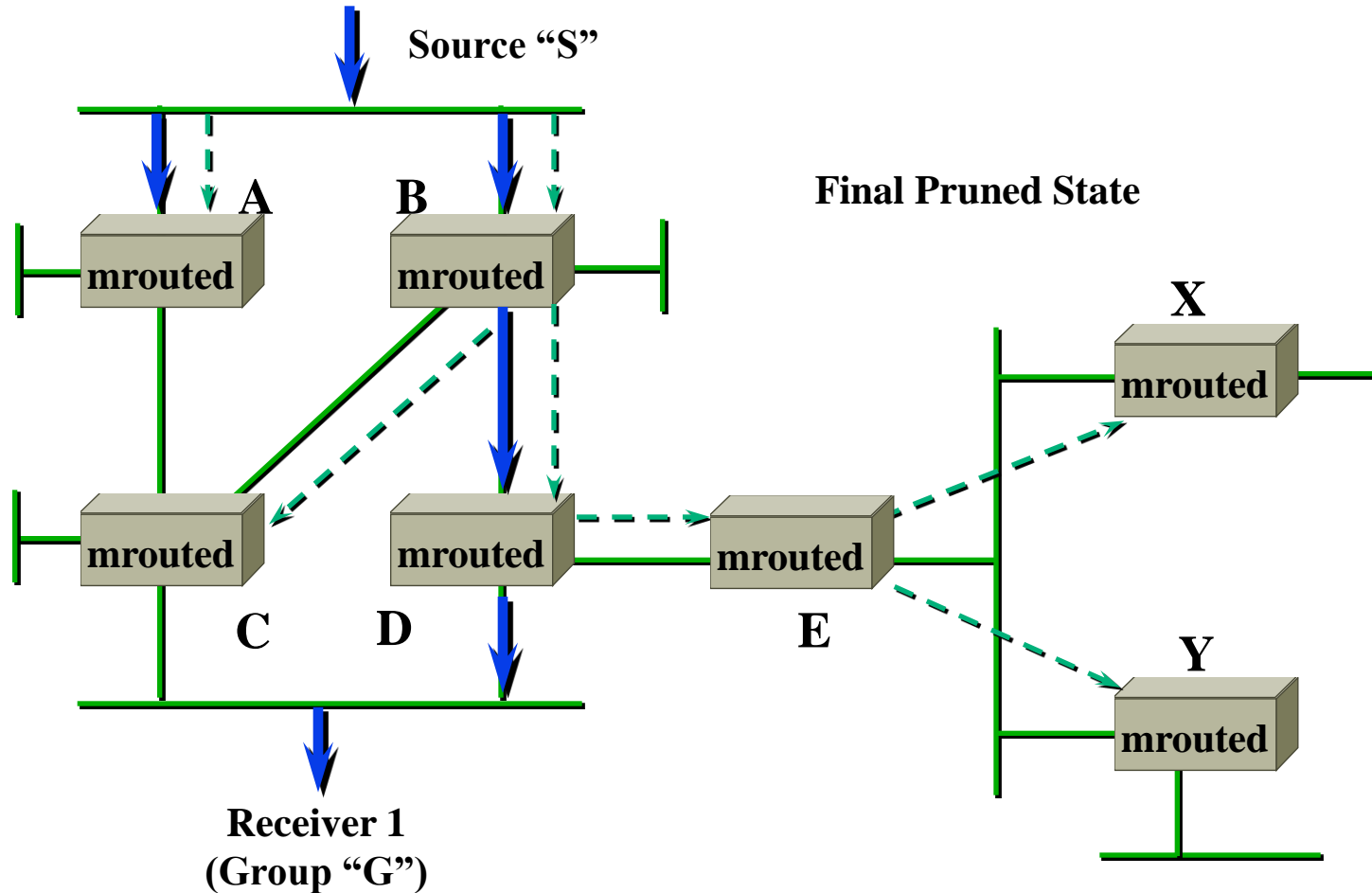


 Truncated Broadcast Tree based on DVMRP route metrics

 (S, G) Multicast Packet Flow



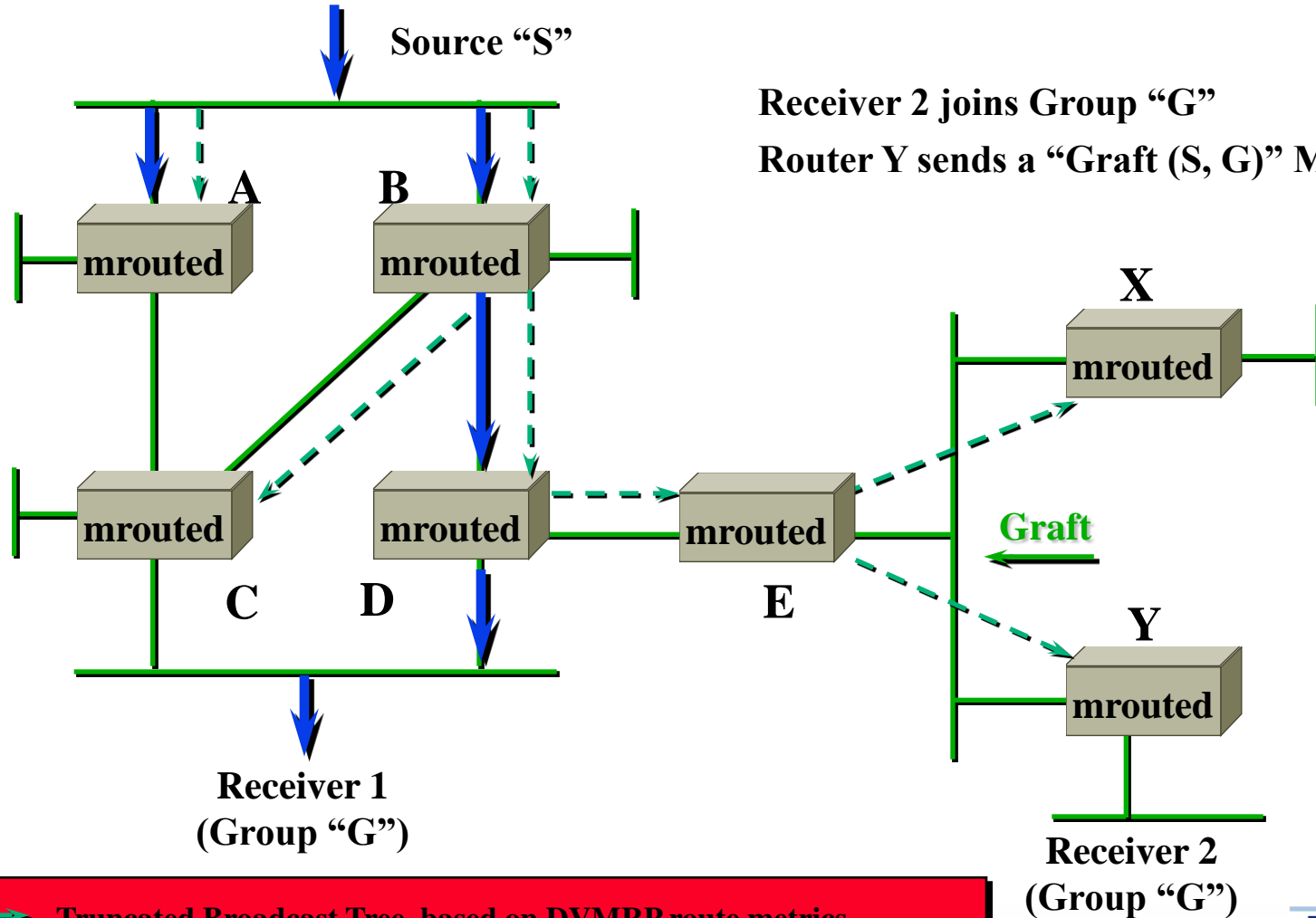
DVMRP Flood & Prune



- - - - - Truncated Broadcast Tree based on DVMRP route metrics
→ (S, G) Multicast Packet Flow



New Receiver in DVMRP: Grafting

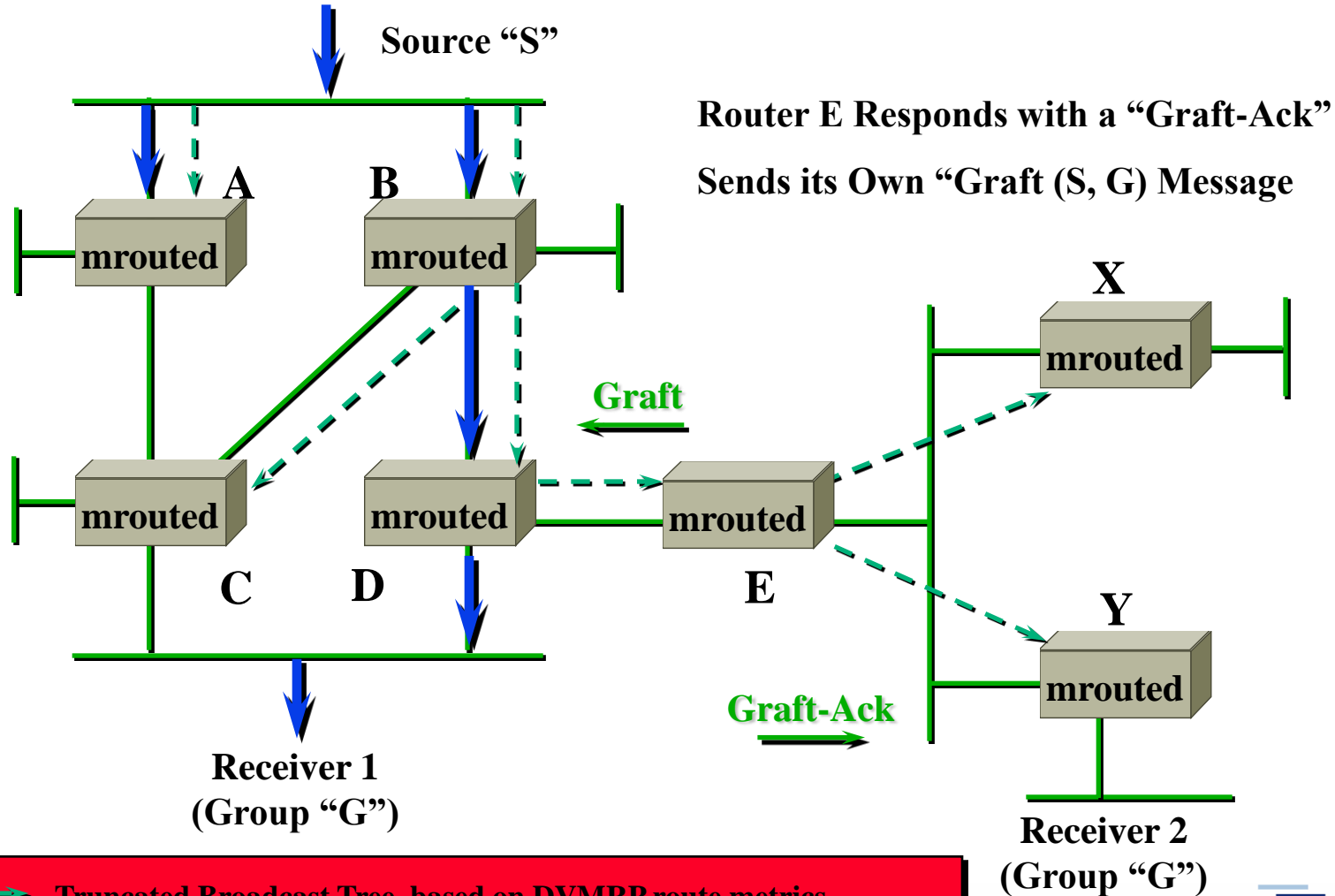


Receiver 2 joins Group "G"
Router Y sends a "Graft (S, G)" Message

--- Truncated Broadcast Tree based on DVMRP route metrics
 → (S, G) Multicast Packet Flow



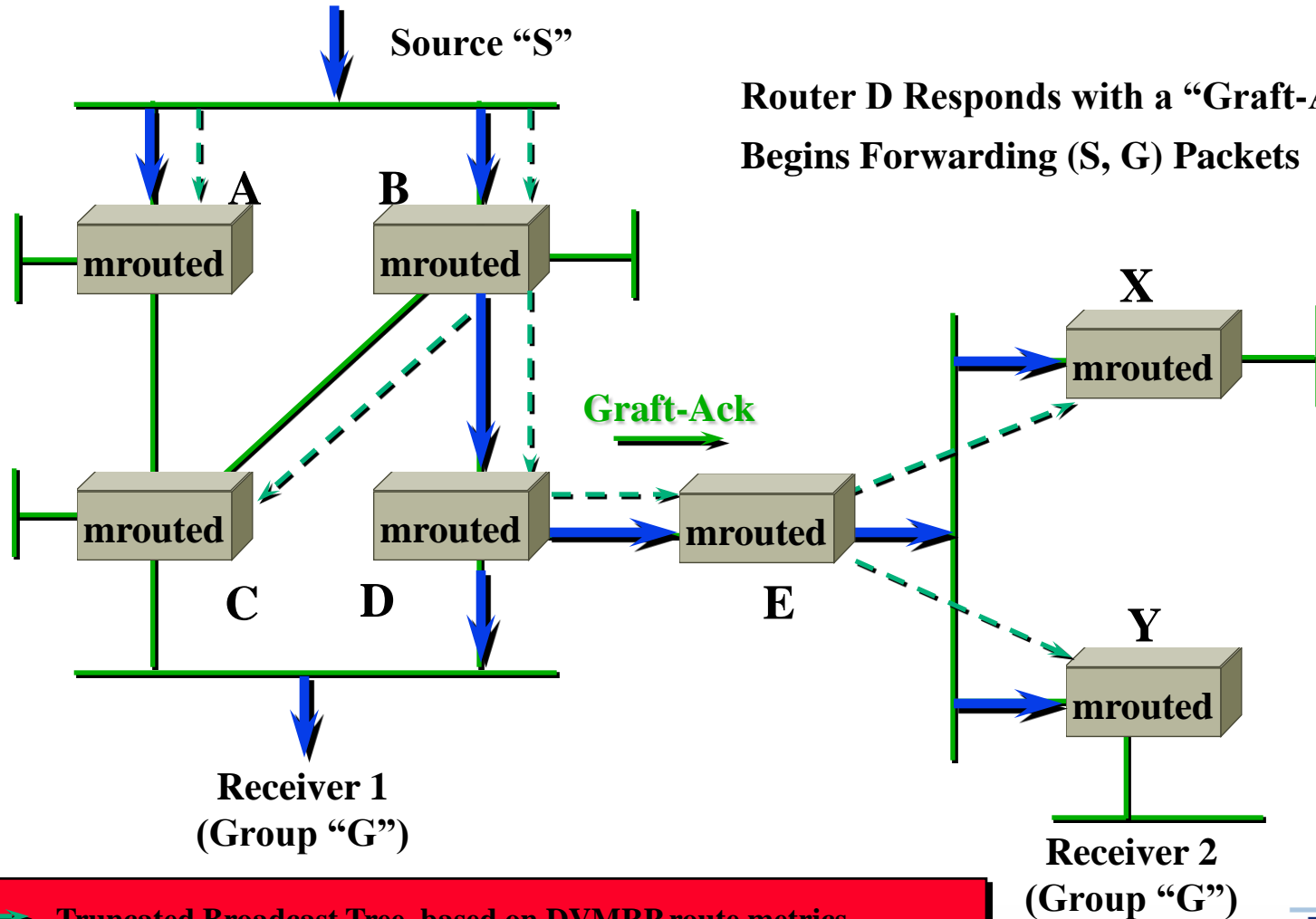
DVMRP Grafting



- - - - - Truncated Broadcast Tree based on DVMRP route metrics
—————> (S, G) Multicast Packet Flow



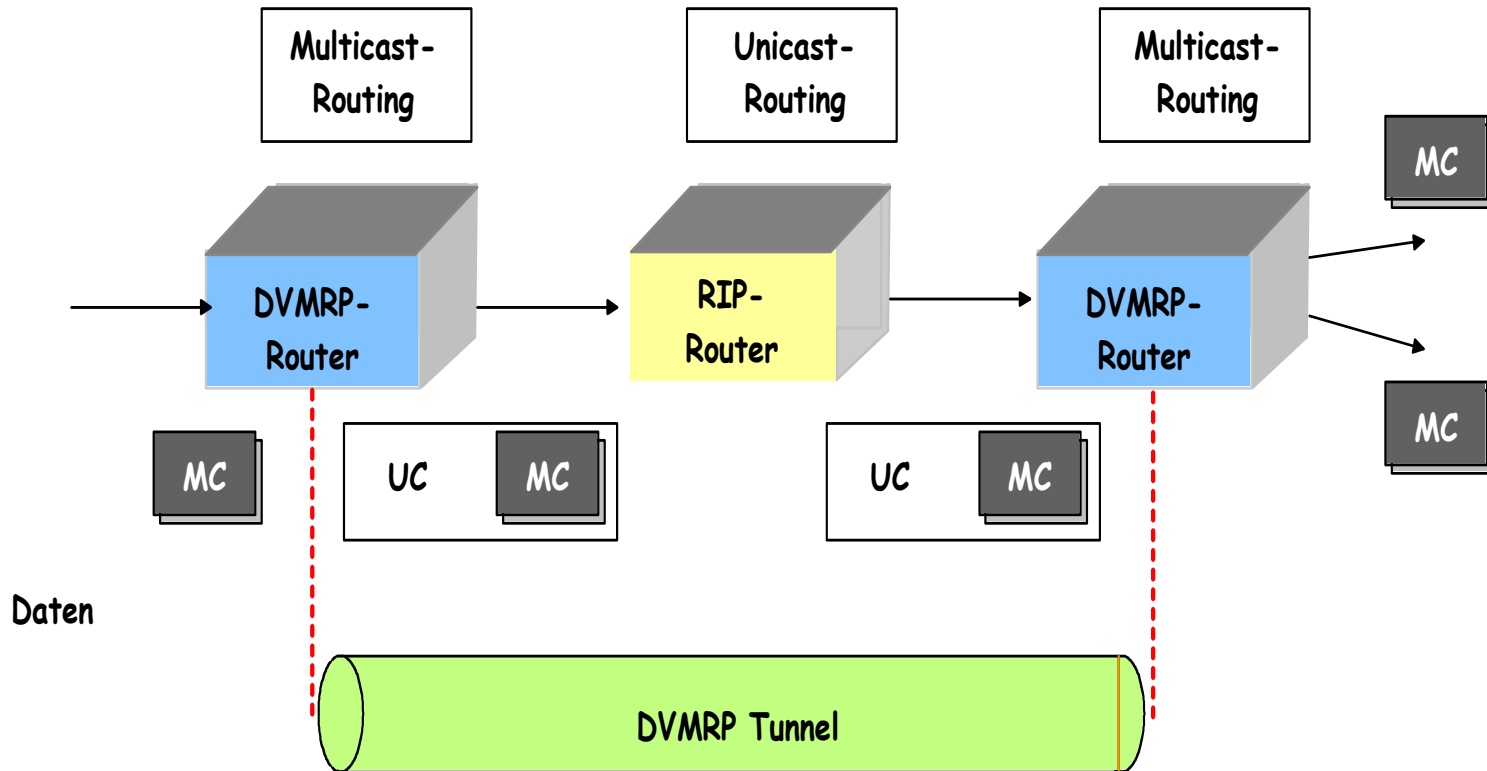
DVMRP Grafting



- - - - -> Truncated Broadcast Tree based on DVMRP route metrics
—————> (S, G) Multicast Packet Flow



DVMRP Tunnelling



UC: Unicast
MC: Multicast

Multicast Open Shortest Path First (MOSPF)

- ▶ Extends OSPF for Multicast Routing
- ▶ Destination based link state protocol (dense mode)
- ▶ Distribution of link states (OSPF)
- ▶ Group member link states flooded
- ▶ Every router learns a complete topology and calculates shortest path tree
- ▶ **MOSPF corresponds to OSPF-Unicast-Routing**



Protocol Independent Multicast (PIM)

- ▶ *Protocol independence:*

 - works with all underlying Unicast Routing Protocols

- ▶ Dense und Sparse Mode PIM (RFC ..., current RFC 4601 08/'06)

- ▶ Dense Mode PIM floods & prunes (as DVMRP)

- ▶ Sparse Mode PIM uses Rendezvous Points (RP)

 - ▶ Constructs a shared distribution tree centred at RP

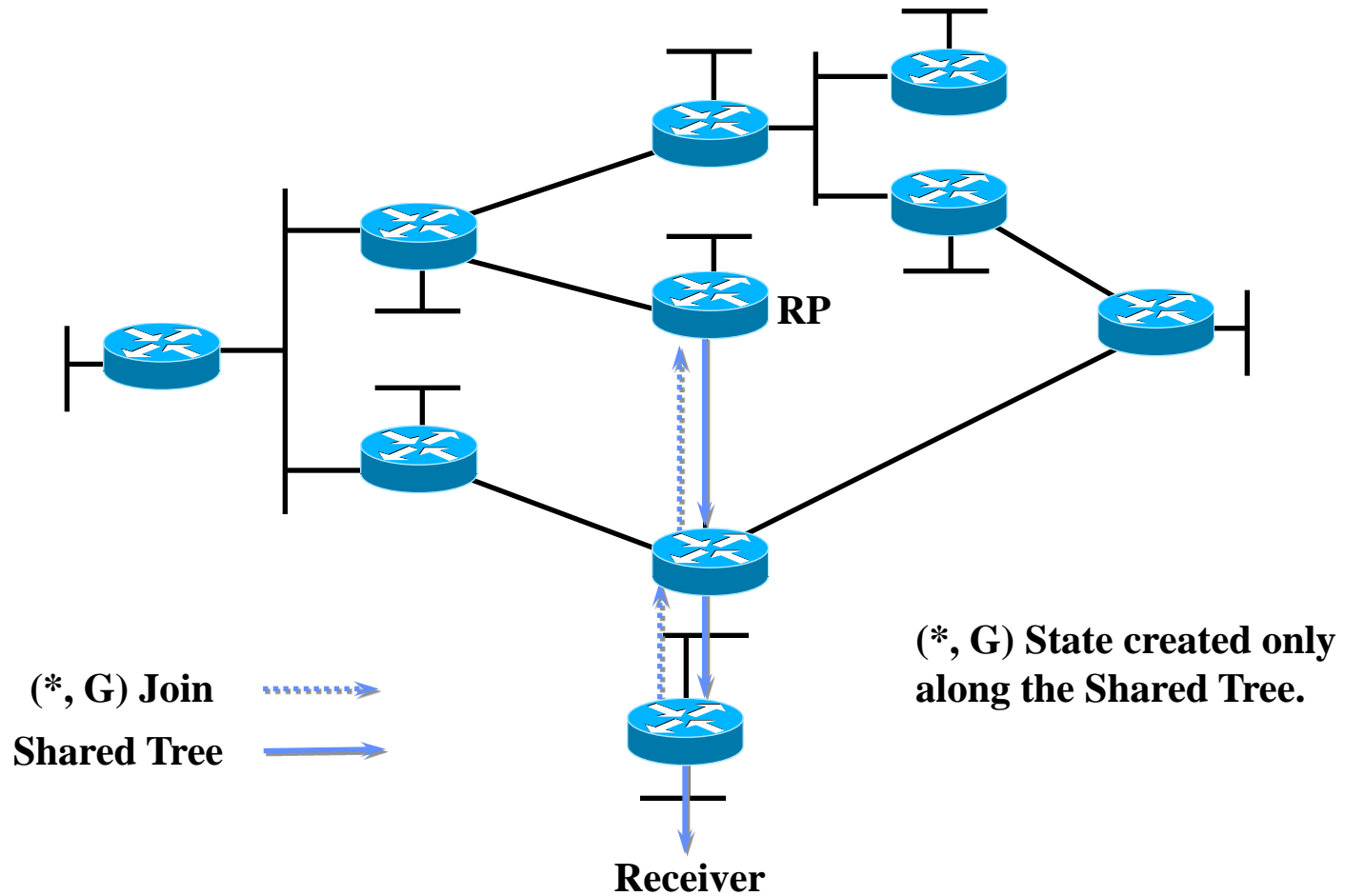
 - ▶ Efficient for widely distributed groups

 - ▶ Favoured for wide area networks – problem:
inter-RP signalling

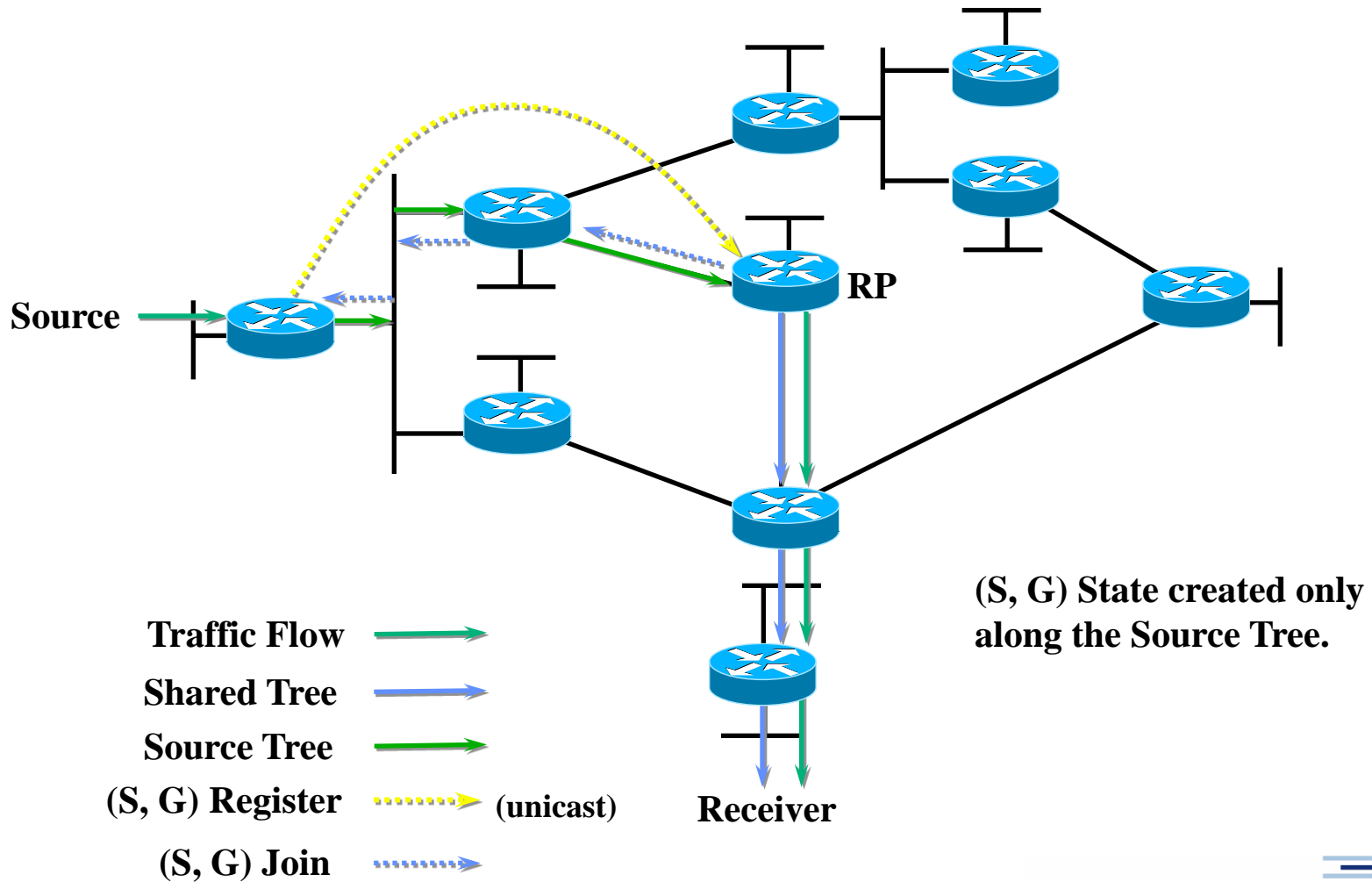
 - ▶ Now widely implemented



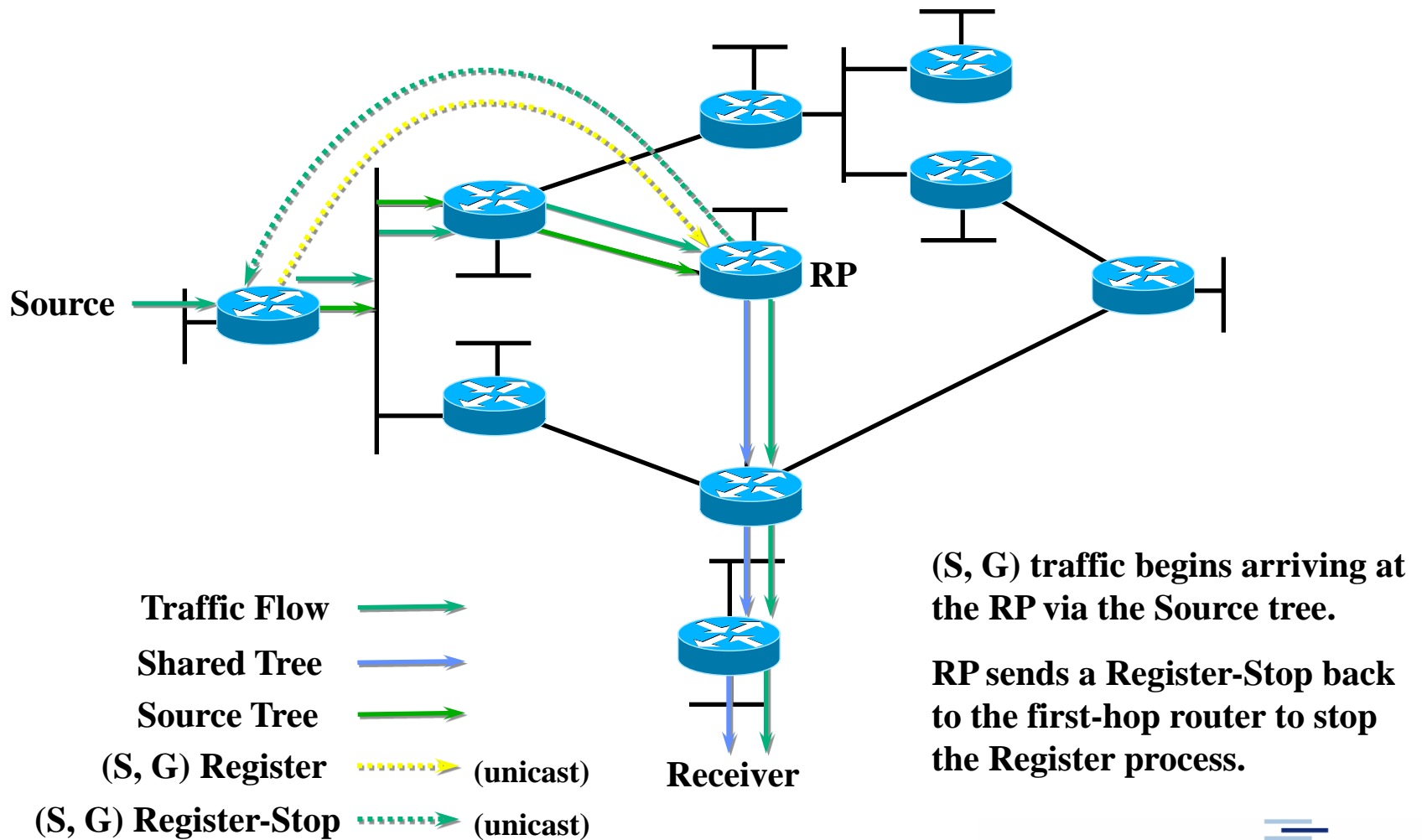
PIM SM Tree Joins



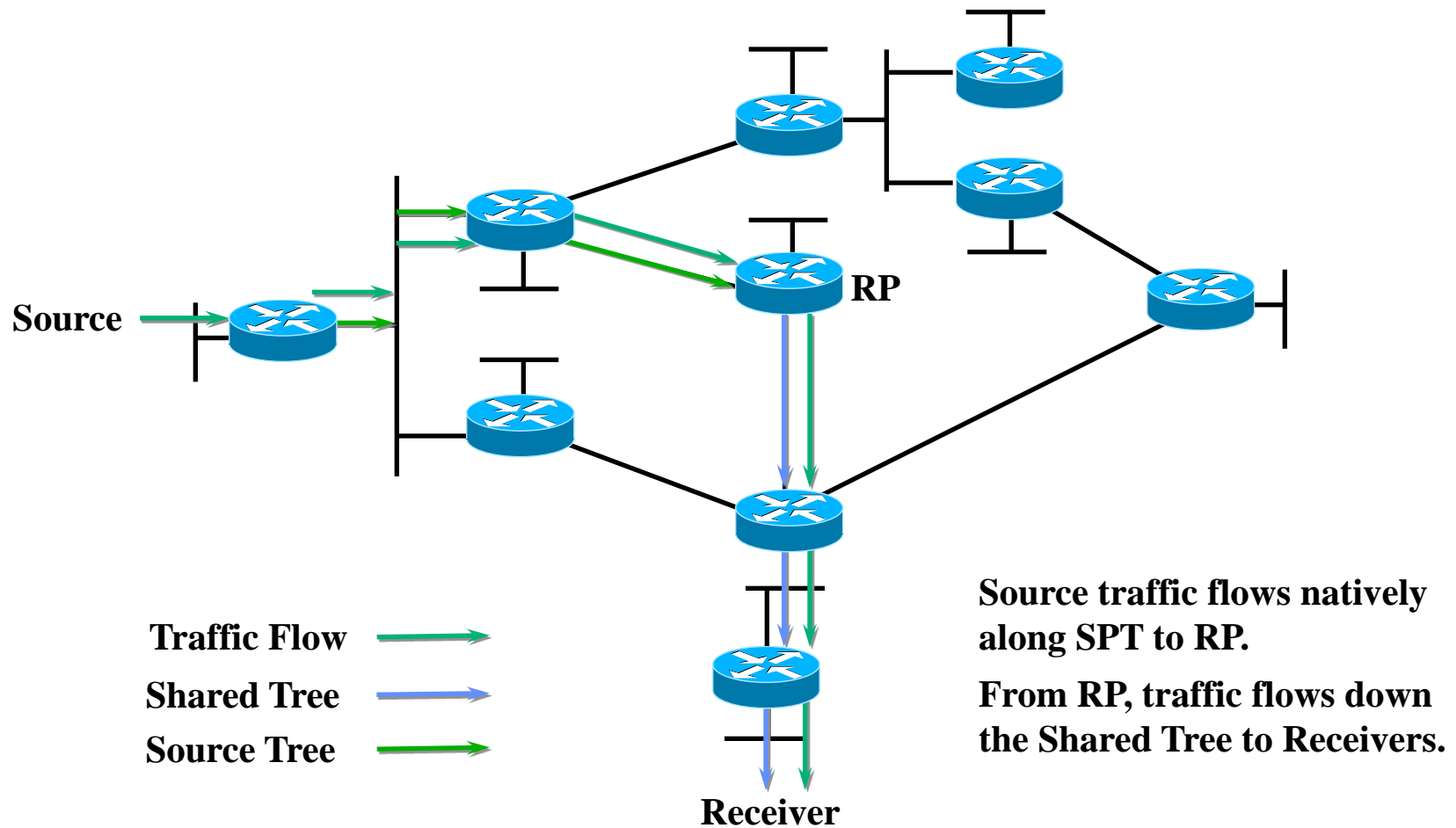
PIM SM Sender Registration



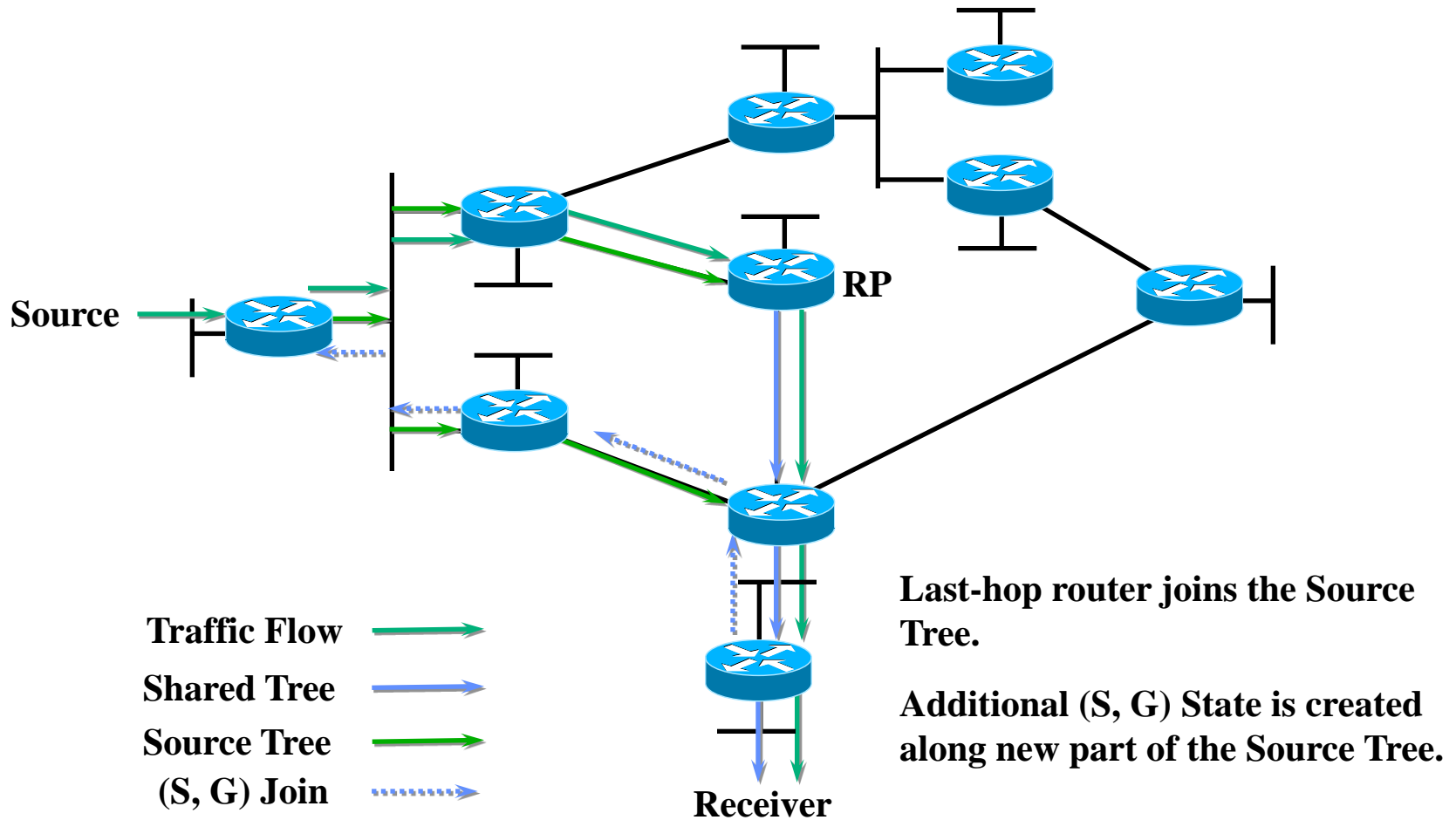
PIM SM Sender Registration



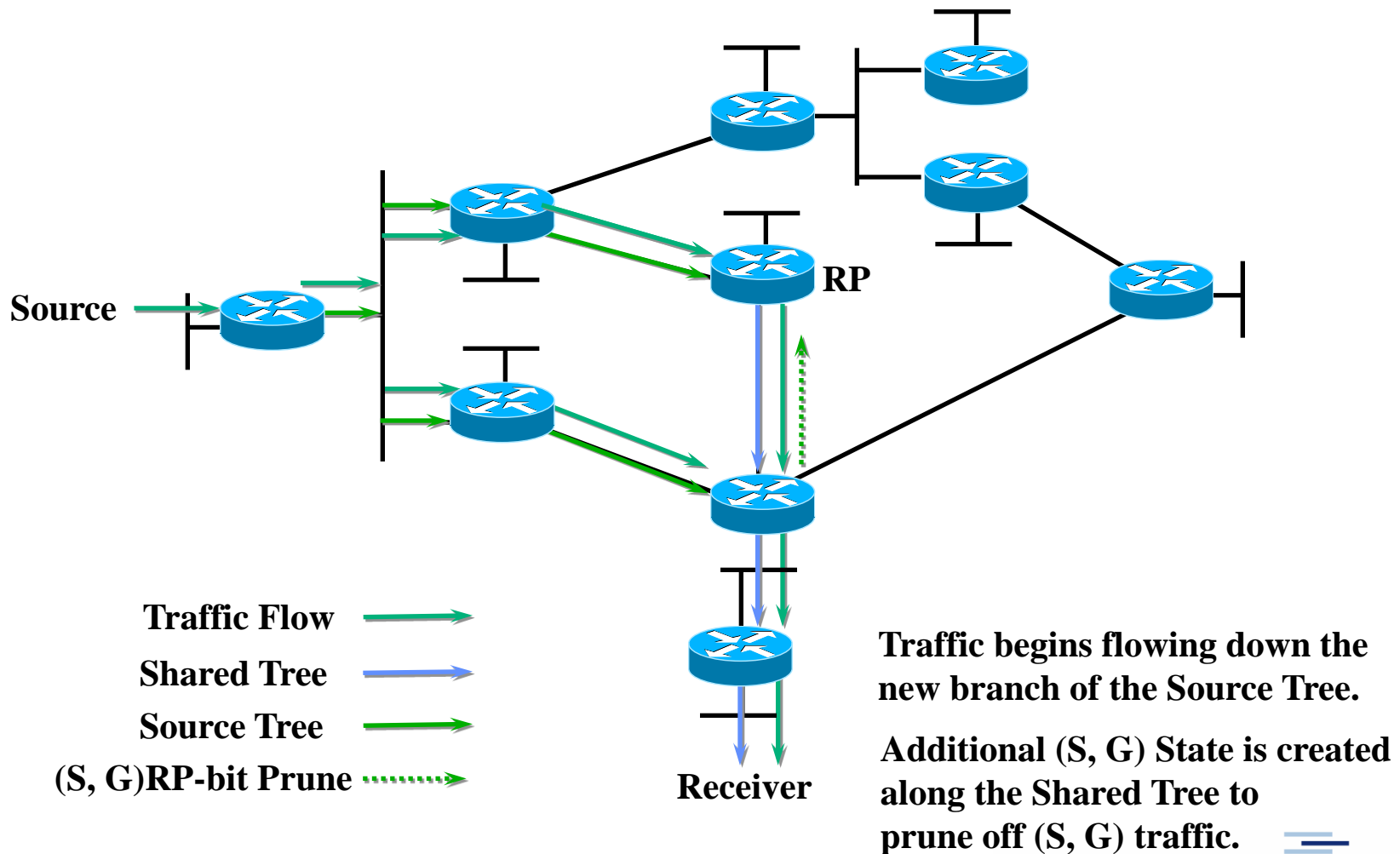
PIM SM Sender Registration



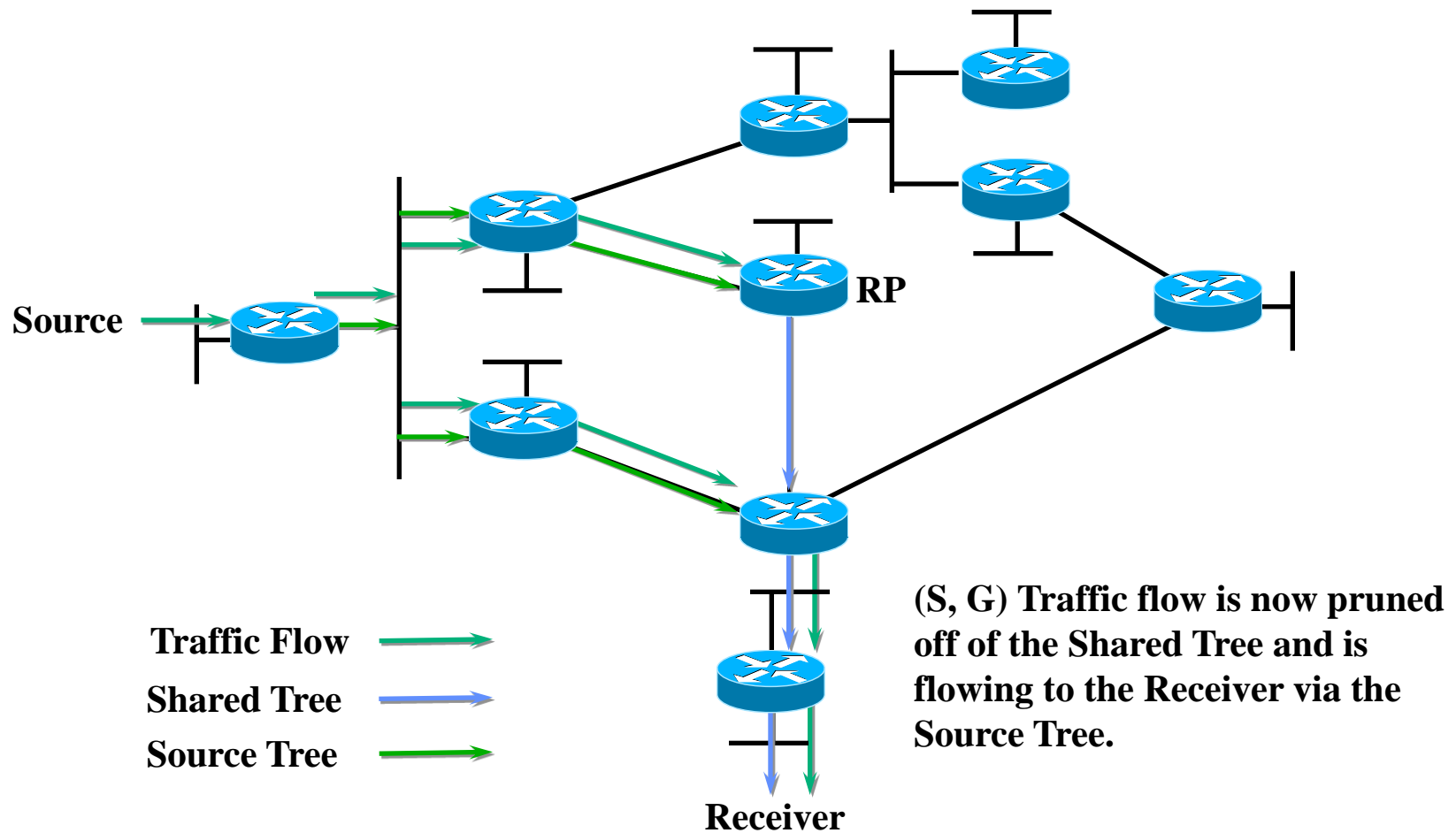
PIM SM Short Cut



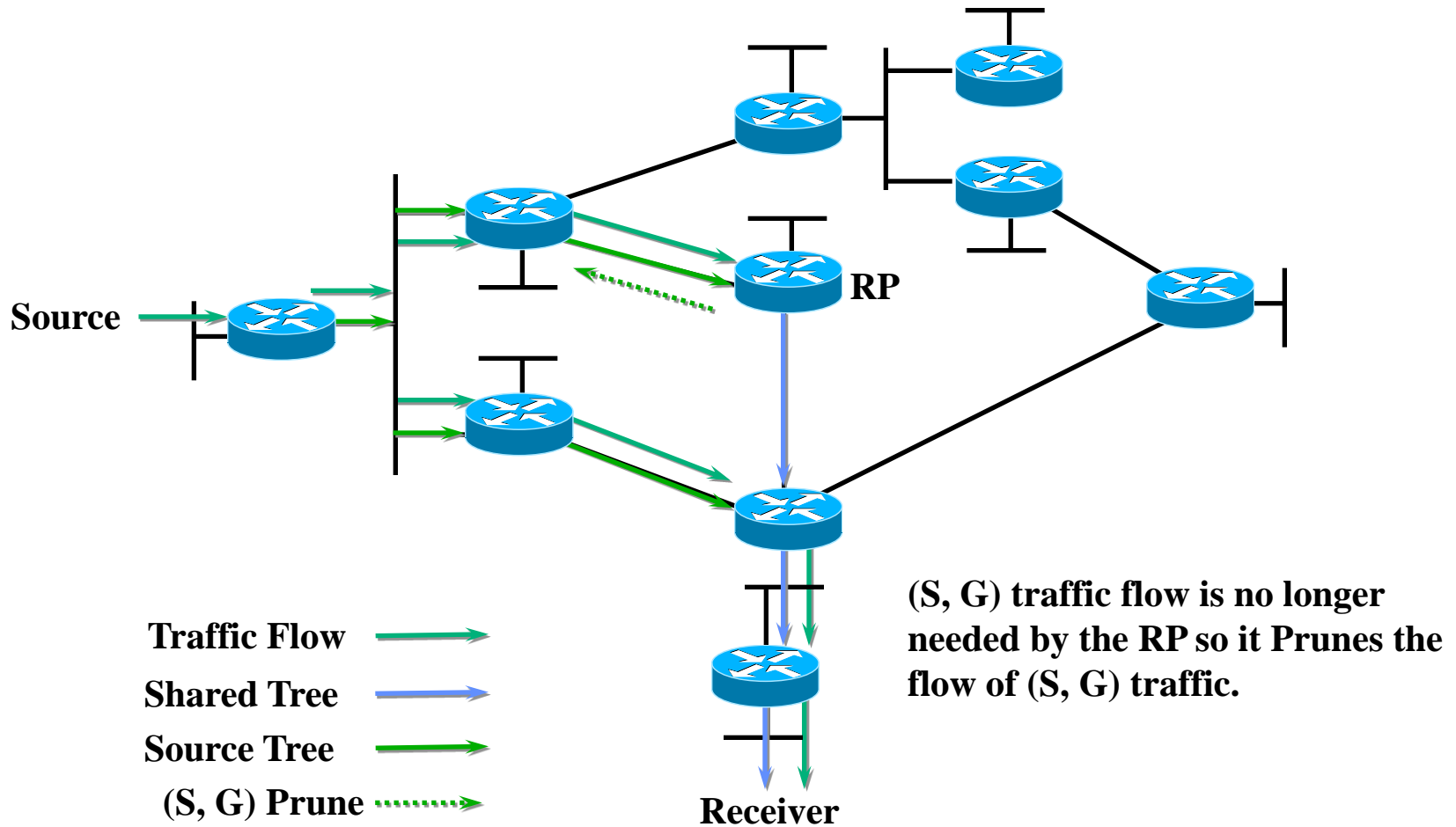
PIM SM Short Cut



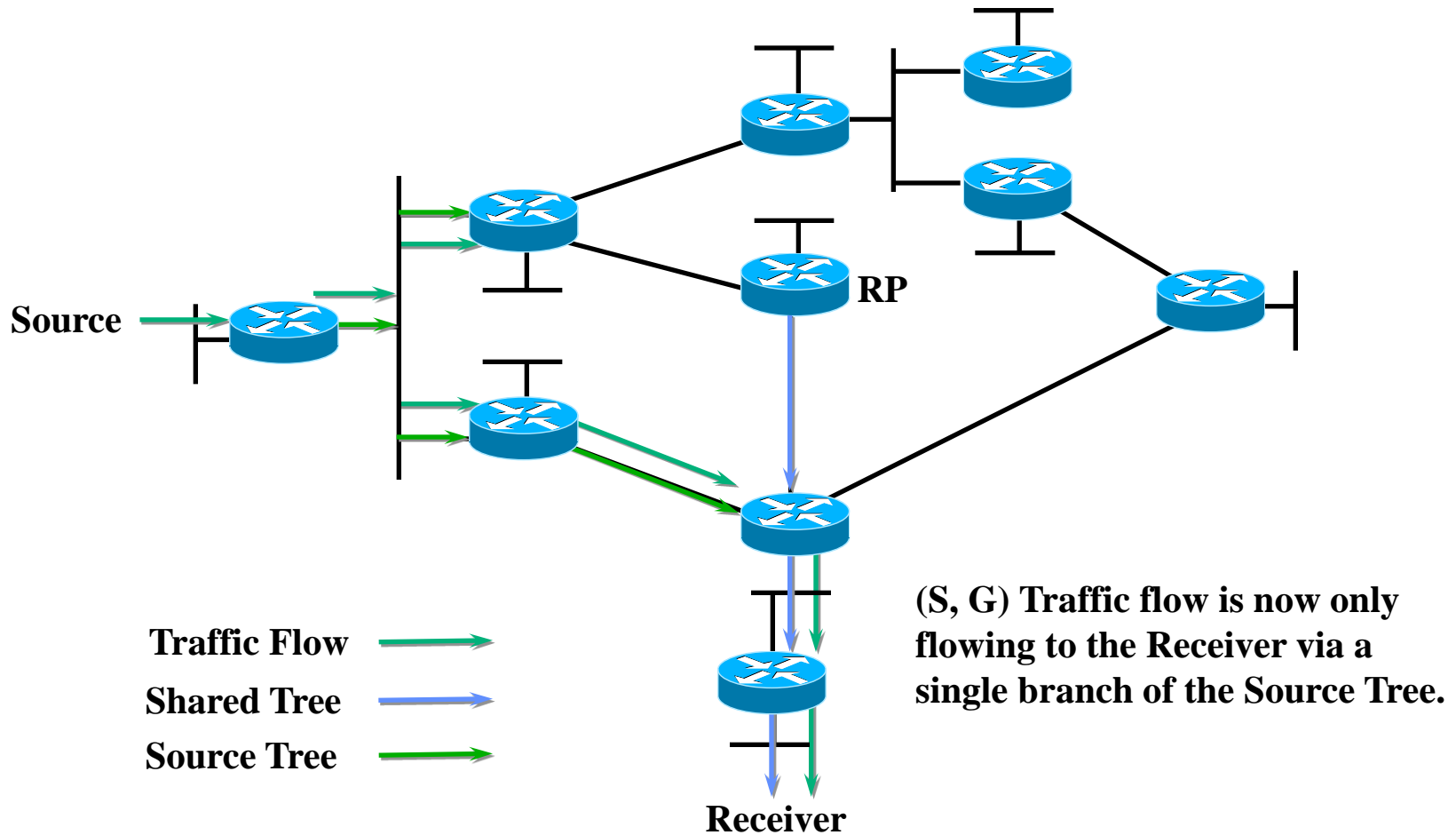
PIM SM Short Cut



PIM SM Short Cut



PIM SM Short Cut



Bidirectional PIM

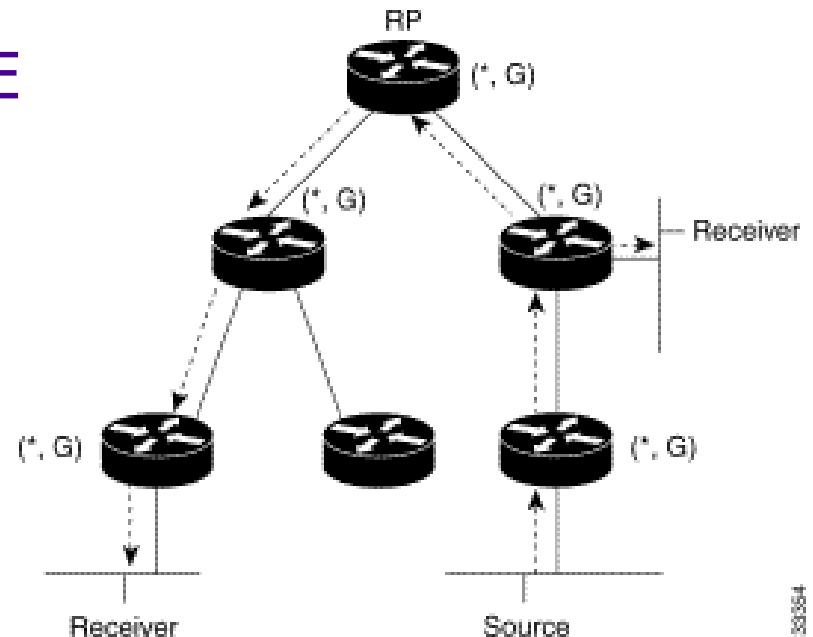
Mark Handley et. al.: RFC 5015

- ▶ Intra-domain protocol
- ▶ Selects (per Group) a “virtual” rendezvous point address (RPAs) – this may be an unused address on the rendezvous point link (RPL)
- ▶ Generates (RPA) a **shared tree** of designated forwarders (DFs): One router per link with best route to RPA
- ▶ Explores a domain by per group shared forwarding states: "NoInfo" or "Include"
- ▶ Decouples state management from data plane



Bidirectional PIM (2)

- ▶ Trees have RPA as virtual root, branch on RPL
- ▶ Group specific states are propagated by JOIN/PRUNE messages towards RPA
- ▶ Shared trees are operated bidirectionally
- ▶ Sources always forward upstream even without on-link receivers



38/38




Source Specific Multicast - SSM

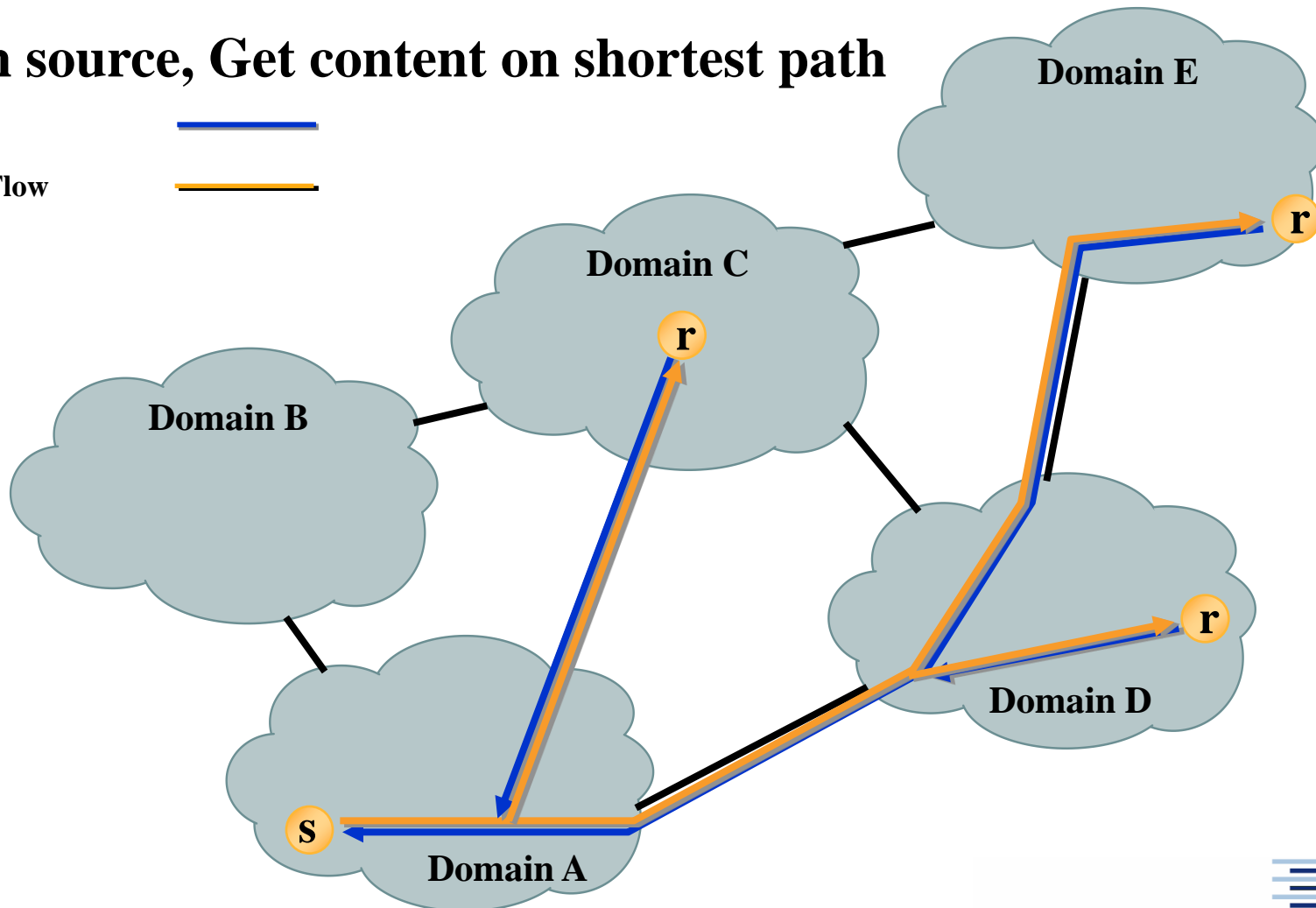
- ▶ Recently released (RFC 3569, RFC 4607 08/'06)
- ▶ Assumes source address known at receiver
 - ▶ Allows for source selection
 - ▶ Source discovery offline or via MSDP
- ▶ Receiver subscribes to (S,G) using IGMPv3/MLDv2
 - ▶ No state aggregation on shared trees
- ▶ Routing: PIM-SSM, a subset of PIM-SM (in RFC 4601)
 - ▶ Obsoletes rendezvous points & flooding
- ▶ Simpler, well suited for single source media broadcast or interdomain apps



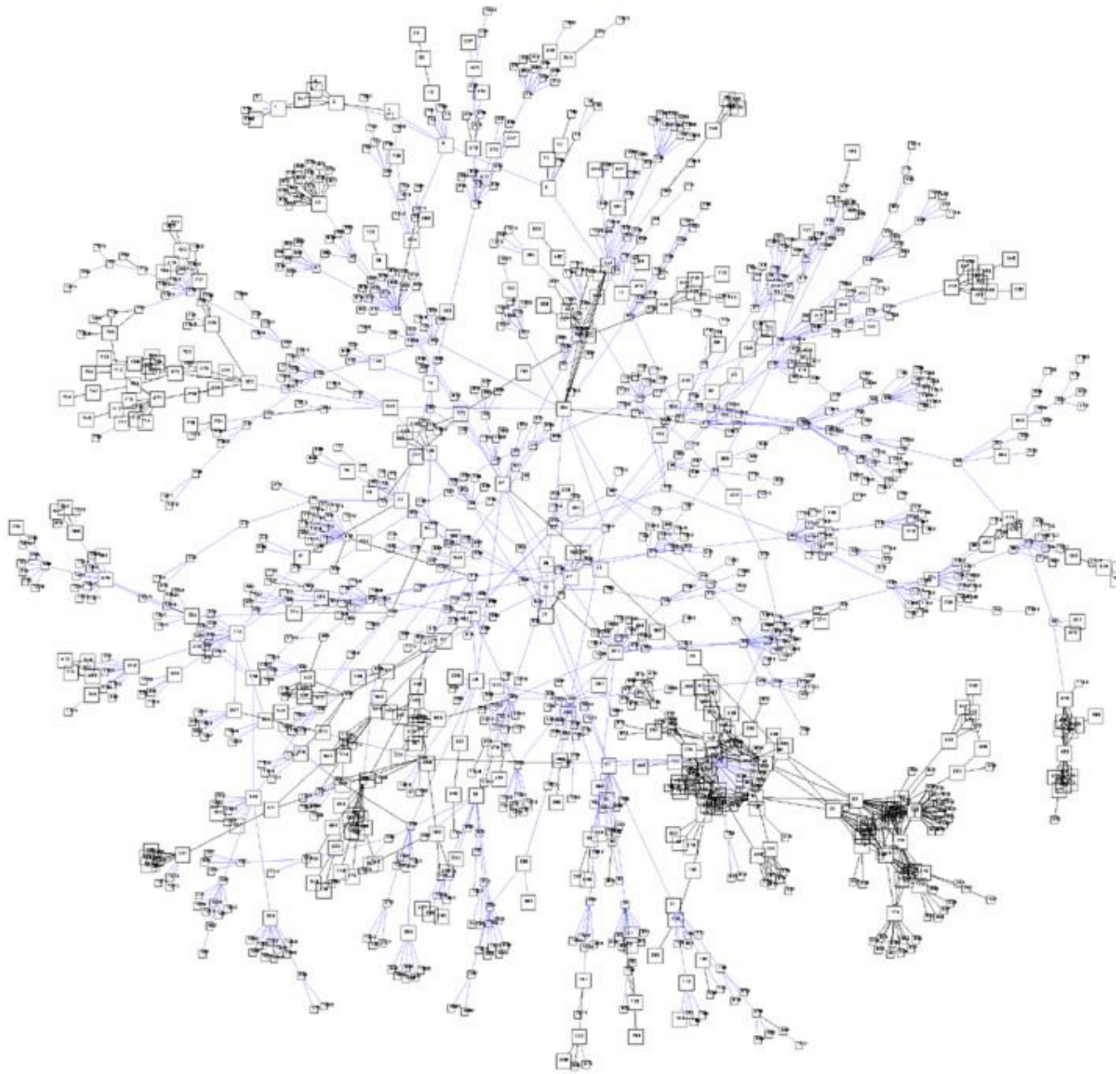
SSM Routing

Join source, Get content on shortest path

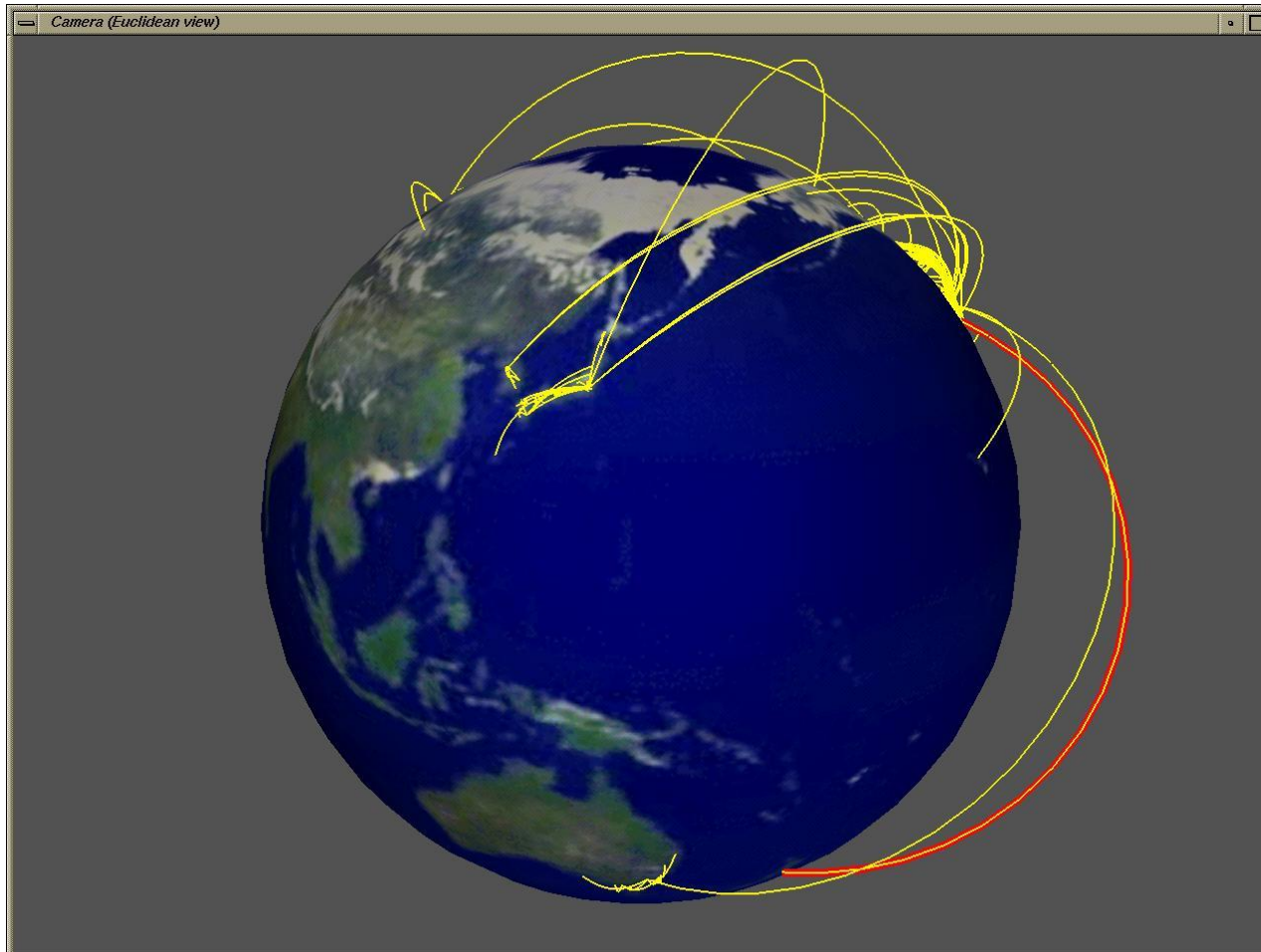
Join 
Data Flow 



MBone



Visualisation of Multicast Group



```
DST DEC3800-1-FDDI-0.LOSANGELES.MCI.NET LOS ANGELES CA 34.05 -118.24  
SRC IHUG.CO.NZ WELLINGTON NEWZEALAND -41.00 175.50
```

Image & Video by Tamara Munzer, Univ. of British Columbia



Efficiency of Multicast

- ▶ For m receivers
 - ▶ $L_M(m)$: Number of links in multicast SPT
 - ▶ $\langle L_U \rangle$: Average # of unicast hops between uniformly chosen end nodes, then clearly

$$L_M(m) < m * \langle L_U \rangle$$

- ▶ Empirical Scaling Law (Chuang and Sirbu 1998/2001):

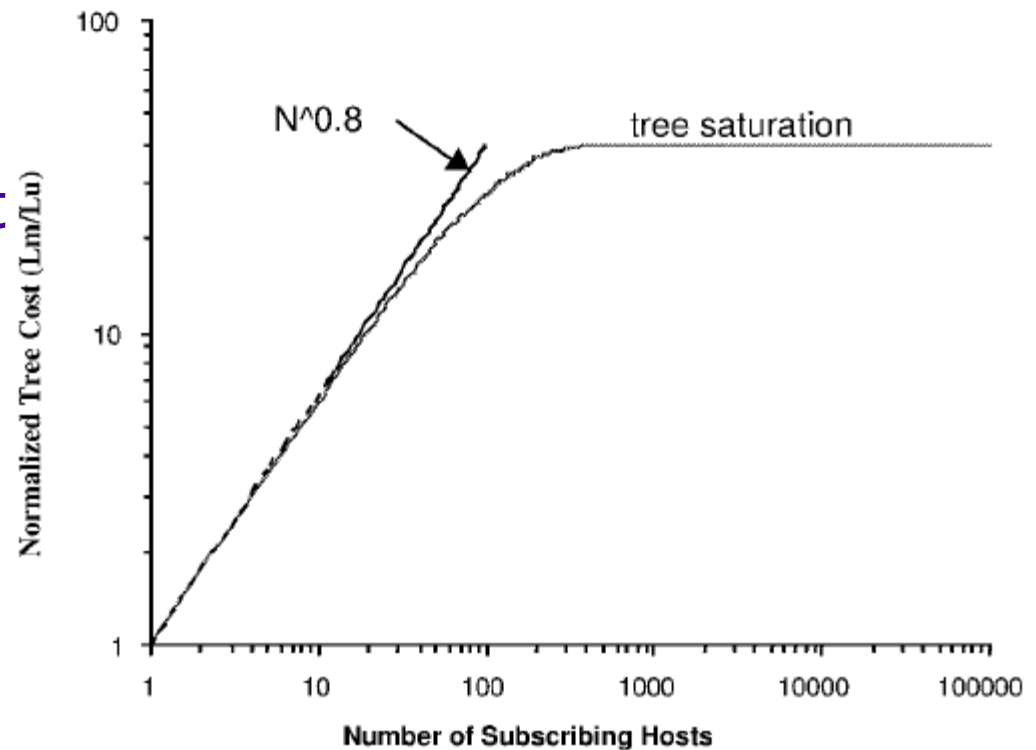
$$L_M(m) \approx \langle L_U \rangle * m^{0.8}$$

- ▶ This means: multicast shortest path trees are of self-similar nature with many nodes of small, but few of higher degrees
- ▶ Trees are shaped rather tall than wide



Chuang and Sirbu Scaling Law

- ▶ Empirical measurement on Internet & generated topologies
- ▶ Exponent found to be topology-independent
- ▶ Saturation due to exhaustive network exploration



Graphic from Chuang Sirbu (2001)



Efficiency of Multicast (2)

- Van Mieghem et al. (2001) proved that the Chuang and Sirbu scaling law cannot hold in general, but can be reasonably well approximated by

$$L_M(m) \approx \langle L_U \rangle m^k, \quad k = k(N) = \frac{\text{var}[L_U(N)]}{\langle L_U(N) \rangle}$$

where N is the number of core nodes of the underlying network and $m \ll N$

- For the current Internet size ($N \approx 250.000$ core nodes) and moderate receiver numbers $m \ll N$:

$$k \approx 0.8.$$



Properties of Shortest Path Trees

- ▶ Assume: m multicast receivers are uniformly chosen out of N network nodes*, then

*If the link weights are iid., exponentially with mean 1, the Shortest Path Tree is a **Uniform Recursive Tree***

- ▶ URTs are well studied self-similar trees
- ▶ Relevant quantities can be derived analytically:
Average hopcount, path weights, stability ...
- ▶ Allows to answer á priori deployment questions, e.g. cost efficiency of multicast ...

* This assumption has been theoretically and empirically justified, cf. Van Mieghem 2006

Markov Discovery : Uniform Recursive Trees

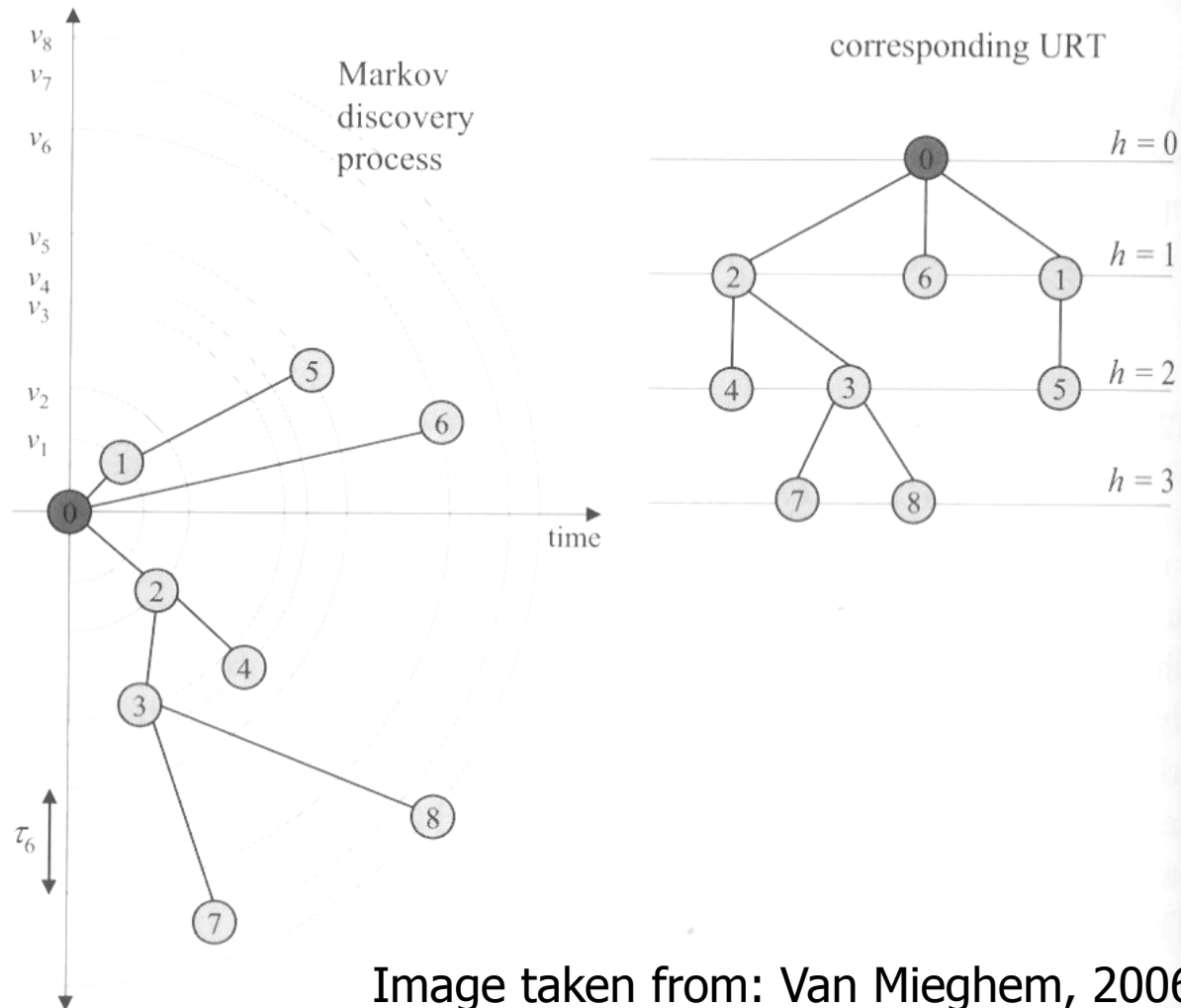


Image taken from: Van Mieghem, 2006



IP Mcast Deployment Issues

- ▶ Complexity versus Performance Efficiency
 - ▶ IP Multicast most efficient, but burdens infrastructure
- ▶ Provider Costs
 - ▶ Provisioning of knowledge, router capabilities & maintenance, Interdomain mcast routing problem
- ▶ Security
 - ▶ ASM simplifies DDoS-attacks
- ▶ End-to-End Design Violation?
 - ▶ Service complexity objects implementation at lower layer



QoS for Multicasting

Resource ReSerVation Protocol (RSVP)

- RFC 2205
- Destination oriented Reservations
 - Sender pushes periodically PATH messages
 - Receiver answers with RESV packets
 - Router interpret these along the paths
- Soft-State-Concept: States time out
- Sender remains unsynchronised



Further Reading

- ▶ R. Wittmann, M. Zitterbart: *Multicast Communication*, Morgan Kaufmann, 2001
- ▶ E. Rosenberg: *A Primer of Multicast Routing*, Springer 2012
- ▶ www.rfc-editor.org
- ▶ <ftp://ftpeng.cisco.com/ipmulticast.html>
- ▶ J. Chuang and M. Sirbu: *Pricing Multicast Communication: A Cost-Based Approach*, Telecommunication Systems 17(3), 281 – 297, 2001.
- ▶ P. Van Mieghem: *Performance Analysis of Communication Networks and Systems*, Cambridge University Press, Cambridge, 2006.
- ▶ P. Van Mieghem, G. Hooghiemstra and R. van der Hofstad: *On the Efficiency of Multicast*, IEEE/ACM Trans. Netw. 9(6), pp. 719-732, 2001.

